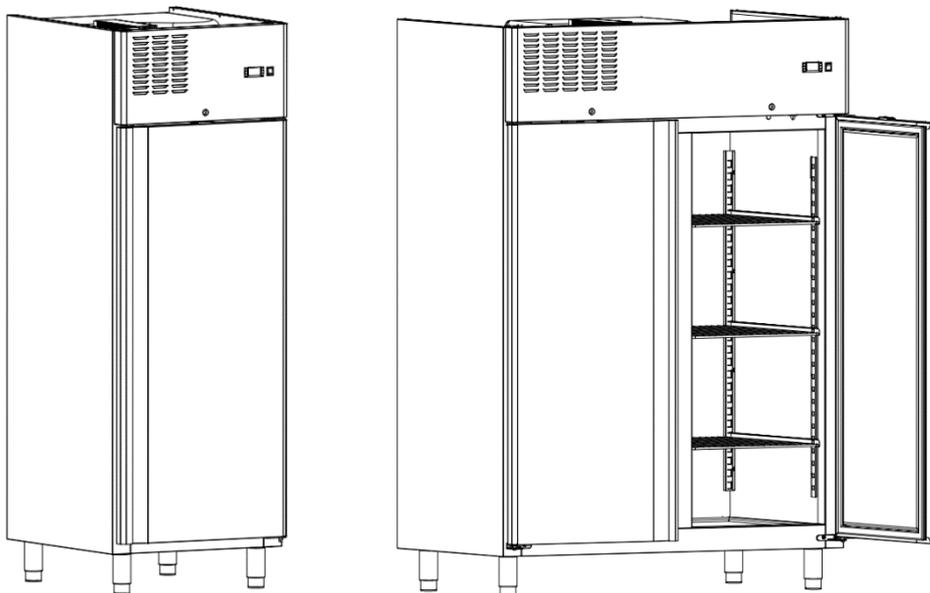


- GB** Instruction Manual
- DE** Bedienungsanleitung
- FR** Manuel d'utilisation
- ES** Manual de instrucciones
- PT** Manual de instruções
- IT** Istruzioni d'uso



CHAFP740N

Dear Customer,

Congratulations on your purchase of this product.

Please take a few minutes before starting operation of the appliance and read the following operating instructions.



Table of Contents

Product Overview.....	3
Safety Tips.....	4
Intended Use.....	5
Location and Installation	6
Operation.....	7
Cleaning, Care & Maintenance	10
Optional Accessory.....	11
Troubleshooting.....	12
Disposal	13
Technical data	14
Warranty.....	14

Product Overview

Article Description
1 Door Refrigerator
2 Door Refrigerator
1 Door Freezer
2 Door Freezer

Safety Tips



IMPORTANT: For your safety read the manual carefully before installing or using this product. Save this manual for future reference.

Consult Local and National Standards to comply with the following:

1. Health and Safety at Work Legislation
2. Fire Precautions
3. IEE Wiring Regulations
4. Building Regulations
5. **DO NOT** use the appliance outside.
6. **DO NOT** attempt to service the item yourself.
7. **DO NOT** use damaged appliances. If you are in any doubt, consult service agent.
8. **DO NOT** use electrical appliances inside the appliance (e.g. heaters, ice-cream makers etc.), unless they are of the type recommended by the manufacturer.
9. Keep ventilation openings, in the appliance enclosure or in the built-in structure, clear of obstruction.
10. **DO NOT** use mechanical devices or other means to accelerate the defrosting process, other than those recommended by the manufacturer.
11. **DO NOT** damage the refrigerant circuit.
12. **DO NOT** stand or support yourself on the base, drawers or doors.
13. **DO NOT** allow oil or fat to come into contact with the plastic components or door seal. Clean immediately if contact occurs.
14. This unit can be used by children aged above 8 years and persons with reduced physical, sensory or mental capabilities or lacking of experience and knowledge who have been given supervision or using instruction of the device and understand the resulting risks (for European market).
15. Do not let children play with the appliance.
16. Cleaning and user maintenance must not be carried out by children without supervision.
17. **DO NOT** place combustible, explosive or volatile articles, corrosive acids or alkalis or liquids in the appliance.

Safety Tips

18. **DO NOT** use this appliance to store medical supplies.
19. **DO NOT** use jet/pressure washers to clean the appliance.
20. **DO NOT** allow children to play with the packaging, and dispose plastic bags safely.
21. Bottles that contain a high percentage of alcohol must be sealed and placed vertically in the refrigerator.
22. Always carry, store and handle the appliance in a upright orientation and move by holding the base of the appliance.
23. Always switch off and disconnect the power supply to the unit before cleaning.
24. If the supply cord is damaged, it must be replaced by the manufacturer, its service agent or similarly qualified persons in order to avoid a hazard.
25. This appliance is not intended for use by persons (including children) with reduced physical, sensory or mental capabilities, or lack of experience and knowledge, unless they have been given supervision or instruction concerning use of the appliance by a person responsible for their safety (for market beyond European).
26. Children should be supervised to ensure that they do not play with the appliance.
27. For indoor use only. Not suitable for installation in an area where a water jet could be used. Shall not be cleaned by a water jet.
28. To guarantee safe operation, ensure that the appliance is set up and connected as described in the instruction manual.
29. Any repairs and work on the appliance should only be carried out by the customer service department/ qualified technician.
30. The key to the electrical cabinet should be kept out of the reach of children and users.
31. Do not store explosive substances such as aerosol cans with a flammable propellant in this appliance.

Intended Use

Only use this appliance for cooling and storage of food and beverage for commercial purposes.

Location and Installation

- Remove the appliance from the packaging. Make sure that all protective plastic film and coatings are thoroughly removed from all surfaces. To prevent injury or damage to the unit, we recommend that the appliance should be unpacked and set up by two people.
- The climatic class can be found on the rating plate. It specifies the ambient temperatures at which the appliance may be operated. The rating plate can be found inside the appliance.

Climate Class	Max. Ambient Temperature	Relative Humidity
3	25	60%
4	30	55%
5	40	40%

- Maintain a distance of 20 cm (7 inches) between the appliance and walls or other objects for ventilation. Increase this distance if the obstacle is a heat source.
- The appliance should be placed on a solid flat and stable floor to reduce noise and vibration. Level the appliance by adjusting the feet.
- Avoid locating the unit in direct sunlight or near heat sources such as ovens or radiators.
- Please make sure the appliance is properly ventilated.
- Check that the power supply and voltage used comply with the details on the rating plate. The plug must be accessible after installation.
- Correctly connect and disconnect the plug. When inserting ensure the plug is fully engaged. While unplugging hold the body of the plug. Never pull the supply cord directly.
- If the unit is to be shut down for long period, switch it off and disconnect the plug from socket outlet. Clean the appliance and leave the door open to prevent odour.
- **Important! For your personal safety, this appliance must be properly grounded (earthed).** This appliance is equipped with a cord having a grounding wire with a grounding plug. The plug must be inserted into an outlet that is properly grounded and installed. Consult a qualified electrician or service centre if you do not completely understand the grounding instructions. If doubt exists whether the appliance is properly grounded, have a qualified electrician check the circuit to make sure the outlet is properly grounded.
- If the cable does not reach the nearest socket, either rearrange your store layout or ask a qualified electrician to fix a new socket.
- If power is cut off, wait for at least 3 minutes before restarting the appliance to avoid damaging the compressor.
- Slide the shelf/drawer into place.

Note: If the unit has not been stored or moved in an upright position, let it stand upright for approximately 12 hours before operation.

Note: Before using the appliance for the first time, clean the shelves and interior with soapy water.

Operation

Storing food

To get the best results from your appliance, follow these instructions:

- Only store foodstuffs in the appliance when it has reached the correct operating temperature.
- Do not place uncovered hot food or liquid inside the appliance.
- Wrap or cover food where possible.
- Do not obstruct the fan inside the appliance.
- Avoid opening the doors for prolonged periods of time.
- The food must be put into container before placed into cabinet or on the shelf. Food must not be placed into food cabinet directly.

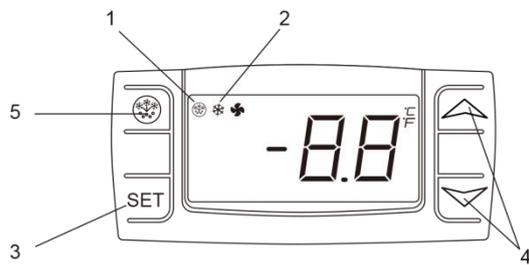
Turn on

- Close the door of the appliance.
- Ensure the power switch is set to [O] then connect to the power outlet.
- Switch on the Power [I]. The current temperature within the appliance is displayed.
- The ❄️ on the control panel will flash to indicate a delay to compressor start.

Operation

Temperature Setting and Control (Dixell)

- The front panel of the thermostat display:



1. Defrost indicator
2. Compressor operation indicator
3. SET key
4. Temperature modification keys
5. Defrost button

How to see the set point

- Push and immediately release the **SET** key, the set point will be showed;
- Push and immediately release the **SET** key or wait about 15s to return to normal visualisation.

How to change the set point

- Push the **SET** key for more than 2 seconds to change the set point value;
- The value of the set point will be displayed and the "°C" starts blinking;
- To change the set value push the „^“ (up) or „V“ (down) arrows within 15s.
- To memorise the new set point value push the SET key again or wait 15s.

Automatic defrost

- The appliance will automatically run defrost cycles.

Note: The cycle starts from the time the appliance is initially powered up.

Manual Defrost:

- Press and hold the **DEFROST**  button for 5 seconds.
- The defrost cycle will start immediately and the Defrost LED illuminates.

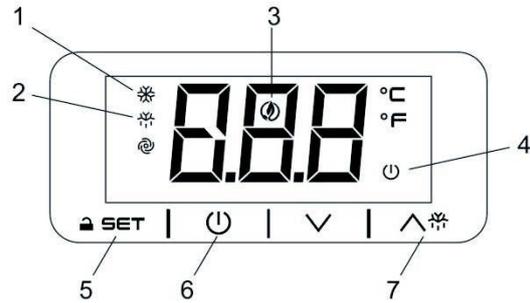
Note: Starting a manual defrost also resets the automatic defrost timer.

Operation

Temperature setting and control (EVCO)

The front panel of the thermostat

1. Compressor operation light
2. Defrosting light
3. Energy saving light
4. Stand-by light
5. Programming key (service agent only)
6. Machine On/Stand -by (keep pushed)
7. Manual defrost (keep pushed)



How to turn the machine in ON / STAND -BY status

- Press and hold the  key for 4s, the machine will turn from ON to STAND -BY status and vice-versa.
- During the button hold the  LED will blink to show status changing.

How to unlock the keyboard («Loc» message)

- Push any button for more than 2s, «UnL» message will appear and the keyboard will be unlocked.

Note: For safety reasons the keyboard locks automatically after 30s of keys inactivity.

To execute any operation, please unlock the keyboard first.

How to see and modify the set point

- Push and immediately release the **SET** key, the set point will be showed and starts blinking;
- To change the set value push  or  arrows within 20s.
- To memorize the new set point value push the **SET** key again or wait 20s.

Automatic defrost

- The appliance will automatically run defrost cycles.

Note: The cycle starts from the time the appliance is initially powered up.

Manual Defrost:

- Press and hold the DEFROST  button for 3s;
- The defrost cycle will start immediately and the Defrost  LED illuminates.

Note: Starting a manual defrost also resets the automatic defrost timer.

Cleaning, Care & Maintenance

Routine maintenance

Switch off and disconnect from the power supply before cleaning.

- Clean the enclosure and interior of the appliance as often as possible.
- Clean the unit with moist cloth. Never allow the switch, control panel, cable or plug to get wet.
- Do not use abrasive cleaning agents. These can leave harmful residues. Use only mild soapy water.
- Clean the door seal with water only.
- Ensure that no cleaning water penetrates into the electrical components.
- Must not be cleaned by a water jet.
- Always wipe dry after cleaning with soft cloth.
- Do not allow water used in cleaning to run through the drain hole into the evaporation pan.
- Take care when cleaning the rear of the appliance.
- An agent or technician must carry out repairs if required.
- If the appliance is to be left inactive for long periods, unplug the appliance after having turned the switch to OFF position, empty the refrigerating compartment and clean thoroughly.

Special maintenance

The instructions given in the following paragraph can be followed from qualified technicians

- Periodically clean the condenser using suitable tools (vacuum cleaner or soft brushes) can extend the life of the appliance.
- Check that the electrical connections are not loose.
- Check that the thermostat and the sensor are in proper working order.

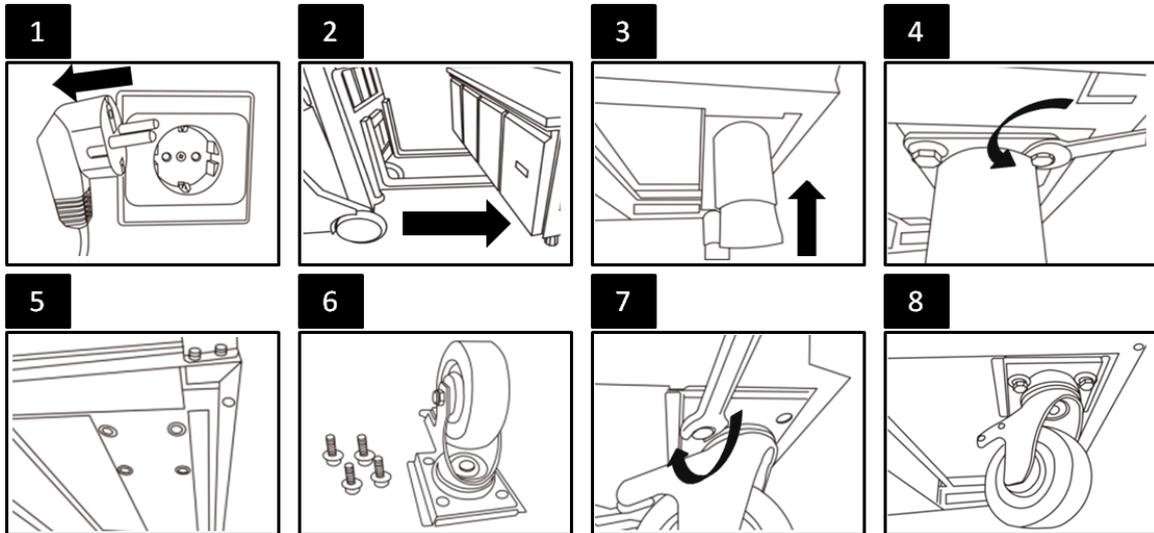
Optional Accessory

Four pieces of Castor

Positioning: Two castors with break to be fixed at the bottom front and two castors with no break to be fixed at the bottom rear.

Procedure: Follow the 8 steps below to change the footings to casters.

Note: If you intend to purchase optional accessories, please ask our sales staff for advice.



Caution:

- Unplug the appliance from main socket before change.
- Securing the fork lift before change.
- Securing all drawers, shelves, lids and doors before change.
- Empty the cabinet before change.
- Lock the brake on the caster after change.

Troubleshooting

Fault	Potential Failure	Problem solving action
The appliance is not working	The unit is not switched on	Check the unit is plugged in correctly and switched on
	Plug and/ or lead are damaged	Call your agent or qualified technician
	Fuse in the plug has blown	Replace the fuse (UK Plug)
	Power supply	Check power supply
The appliance turns on, but the temperature is too high/ low	Too much ice on the evaporator	Defrost the appliance
	Condenser blocked with dust	Call your agent or qualified technician
	Doors are not shut properly	Check doors are shut and seals are not damaged
	Appliance is located near a heat source or air flow to the condenser is being interrupted	Move the refrigerator to a more suitable location
	Ambient temperature is too high	Increase ventilation or move appliance to a cooler position
	Unsuitable foodstuffs are being stored in the appliance	Remove any excessive hot foodstuffs or blockages to the fan
The appliance is unusually loud	Appliance is overloaded	Reduce the amount of food stored in the appliance
	Loose nut/ screw	Check and tighten all nuts and screws
The appliance is leaking water	The appliance has not been installed in a level or stable position	Check installation position and change if necessary
	The appliance is not properly leveled	Adjust the screw feet to level the appliance (if applicable)
	The discharge outlet is blocked	Clear the discharge outlet
	Movement of water to the drain is obstructed	Clear the floor of the appliance (if applicable)
	The water container is damaged	Call your agent or qualified Technician
The drip tray is overflowing	Empty the drip tray (if applicable)	

Disposal

If the appliance is no longer of use and you wish to dispose of it, remove doors to prevent any small child from be trapped inside. Then please do in an environmentally correct way.

Contact a qualified service technician:

1. To recover all Freon/refrigerant
2. To remove the compressor or remove the oil from the compressor
3. To remove the flammable insulation blowing gases

Then the distributor/ retailer can contact their local metal recycling center to pick up the remaining cabinet, shelves, etc.

There may be special requirements or conditions. You can obtain information on the disposal of refrigeration appliances from:

- Your supplier
- Government authorities (The local council, Ministry of the Environment, etc.)

By law, disposal of hazardous wastes may be subject to fines and imprisonment under the provisions of the environmental regulations.

1. The refrigerant of this unit is a hydrocarbon refrigerant and is covered by the Kyoto Protocol.
2. Releasing the refrigerant to the atmosphere will harm the environment by contributing to the global warming. The Global Warming Potential (GWP) of R134a is 1430, of R404a is 3922, of R600a/R290 is 3.

Disposal



Discarded electric appliances are recyclable and should not be discarded in the domestic waste! Please actively support us in conserving resources and protecting the environment by returning this appliance to the collection centres (if available).



Dispose of packaging in accordance to applicable legal regulations.

Technical data

Model	Refrigerator / Freezer (1 Door, 2 Door)
Climate Class	Please refer to the information indicated on the product. You will find the information on the rating label on the back of the unit as well as inside the cooling compartment. The circuit diagram is displayed on the back of the unit as well as inside the cooling compartment
Refrigerant Gas	
Refrigerant Charge	
Temperature Range (°C)	
Input Power	
Rated Frequency	
Rated Voltage	
Internal volume	
Net Weight	
Gross Weight	
Foaming Agent	
External Dimension (mm)	



CAUTION: RISK OF FIRE AND EXPLOSION WITH FLAMMABLE REFRIGERANT R600a/R290.



Warranty

A statutory warranty applies for this product.

Damages caused by wrong treatment or operation, by false placement or storage, improper connection or installation, as well as force or other external influences are not covered by this warranty. We recommend careful reading of the operating instructions as it contains important information.

Note:

1. In case this product does not function correctly, please firstly check if there are other reasons, e.g. for electrical appliances interruption of the power supply, or generally incorrect handling are the cause.
2. Please note that, where possible, the following documents or rather information should be provided together with your faulty product:
 - Purchase receipt
 - Model description/ Type/ Brand
 - Describe the fault and problem as detailed as possible

In the case of a claim for guarantee or defects, please contact the seller.

GWL 8/14 EN

Sehr geehrte Kundin,
sehr geehrter Kunde,

herzlichen Glückwunsch zum Kauf dieses Produktes.

Bitte nehmen Sie sich einige Minuten Zeit, bevor Sie das Gerät in Betrieb nehmen und lesen Sie die nachfolgende Gebrauchsanweisung durch.



Inhaltsverzeichnis

Produktübersicht.....	17
Sicherheitshinweise.....	18
Bestimmungsgemäßer Gebrauch.....	20
Platzierung und Installation	21
Funktion und Handhabung	22
Reinigung, Pflege und Wartung	25
Optionales Zubehör.....	26
Fehlerbehebung.....	27
Entsorgung.....	28
Technische Daten.....	29
Gewährleistung.....	29

Produktübersicht

Artikelbeschreibung
Kühlschrank (1 Tür)
Kühlschrank (2 Türen)
Gefrierschrank (1 Tür)
Gefrierschrank (2 Türen)

Sicherheitshinweise



WICHTIG: Lesen Sie diese Anleitung zu Ihrer persönlichen Sicherheit sorgfältig durch, bevor Sie das Gerät installieren oder in Betrieb nehmen. Bewahren Sie die Anleitung gut auf, um jederzeit darauf zurückgreifen zu können.

In den folgenden Punkten muss das Gerät die landesüblichen Vorschriften erfüllen:

1. Gesundheit und Sicherheit am Arbeitsplatz
2. Brandschutzbestimmungen
3. IEE-Vorschriften für elektrische Leitungen
4. Bauordnung
5. Verwenden Sie das Gerät **NIEMALS** im Freien.
6. Führen Sie **NIEMALS** eigenhändig Wartungsarbeiten an diesem Gerät durch.
7. Verwenden Sie das Gerät **NICHT**, wenn es Beschädigungen aufweist. Wenden Sie sich im Zweifel an Ihren Kundendienst.
8. Verwenden Sie unter keinen Umständen weitere elektrische Geräte im Inneren dieses Gerätes (z.B. Heizgeräte, Eismaschinen - es sei denn, diese sind vom Hersteller ausdrücklich erlaubt).
9. Halten Sie die Ventilationsöffnungen im Inneren des Geräts oder in der eingebauten Struktur frei und vermeiden Sie Blockierungen des Luftstroms.
10. Versuchen Sie unter keinen Umständen, mechanisch oder mit einem anderen Hilfsmittel den Abtauvorgang zu beschleunigen (es sei denn, es wurde vom Hersteller ausdrücklich genehmigt).
11. Beschädigen Sie **NIEMALS** den Kältekreislauf des Gerätes.
12. Stellen Sie sich **NICHT** auf das Gerät, die Regale oder die Türen des Gerätes und halten Sie sich **NICHT** daran fest.
13. Achten Sie darauf, dass Kunststoffkomponenten oder die Türdichtungen **NICHT** mit Öl oder Fett in Kontakt kommt. Sollte dies dennoch passieren, reinigen Sie die Dichtung umgehend.

Sicherheitshinweise

14. Dieses Gerät kann von Kindern über 8 Jahren sowie von Personen mit verringerten physischen, sensorischen oder mentalen Fähigkeiten oder Mangel an Erfahrung und Wissen benutzt werden, wenn sie beaufsichtigt oder bezüglich des sicheren Gebrauchs des Gerätes unterwiesen wurden und die daraus resultierenden Gefahren verstehen.
15. Lassen Sie Kindern nicht mit dem Gerät spielen.
16. Reinigung und Wartung dürfen nicht von Kindern ausgeführt werden, die unbeaufsichtigt sind.
17. Platzieren Sie **NIEMALS** brennbare, explosive oder leicht verdampfbare Gegenstände, Ätzmittel, Alkali oder andere Flüssigkeiten in das Gerät.
18. Lagern Sie in diesem Gerät unter keinen Umständen medizinische Substanzen.
19. Reinigen Sie das Gerät **NIEMALS** mit einem Hochdruckreiniger.
20. Kinder dürfen nicht mit dem Verpackungsmaterial spielen. Entsorgen Sie Plastikbeutel vorschriftsgemäß.
21. Flaschen mit hochprozentigem Alkohol müssen verschlossen sein und aufrecht in das Gerät gestellt werden.
22. Tragen, lagern und betreiben Sie das Gerät immer in aufrechter Position. Fassen Sie das Gerät immer am Sockel an, wenn sie es bewegen wollen.
23. Bevor Sie das Gerät reinigen, müssen Sie das Gerät immer ausschalten und den Netzstecker ziehen.
24. Wenn das Stromkabel dieses Gerätes beschädigt wird, muss sie durch den Hersteller, seinen Kundendienst oder eine ähnlich qualifizierte Person ersetzt werden, um Gefahren zu vermeiden.
25. Dieses Gerät darf nicht von Personen mit eingeschränkten physischen, sensorischen oder mentalen Fähigkeiten, Personen mit fehlender Erfahrung und Wissen sowie nicht von Minderjährigen betrieben werden, es sei denn diese stehen unter Aufsicht oder erhalten Anweisungen von einer für deren Sicherheit verantwortlichen Person.
26. Kinder müssen beaufsichtigt werden, um sicherzustellen, dass sie nicht mit dem Gerät spielen.
27. Das Gerät ist nur für den Innengebrauch konzipiert. Nicht geeignet zur Installation in einem Bereich, in dem ein Hochdruckreiniger verwendet werden könnte.

Sicherheitshinweise

28. Um einen sicheren Betrieb des Gerätes zu gewährleisten, muss dieses wie in dieser Anleitung beschrieben aufgestellt und angeschlossen werden.
29. Reparaturen und Wartungsarbeiten dürfen ausschließlich vom Kundendienst/ qualifizierten Technikern ausgeführt werden.
30. Der Schlüssel zum Schaltschrank muss außerhalb der Reichweite von Kindern und Benutzern aufbewahrt werden.
31. In diesem Gerät keine explosionsfähigen Stoffe, wie zum Beispiel Aerosolbehälter mit brennbarem Treibgas, lagern.

Bestimmungsgemäßer Gebrauch

Dieses Gerät ist ausschließlich für das Kühlen und Lagern von Lebensmitteln und Getränken im Gewerbe konzipiert.

Platzierung und Installation

- Packen Sie das Gerät aus. Achten Sie darauf, dass Kunststoffschutzfolien und Schutzschichten vollständig von allen Oberflächen entfernt werden. Um Verletzungen zu vermeiden und Beschädigungen des Gerätes vorzubeugen, wird empfohlen, dass das Gerät von zwei Personen ausgepackt und installiert.
- Die Klimaklasse steht auf dem Typenschild. Sie gibt an, innerhalb welcher Raumtemperaturen das Gerät betrieben werden kann. Das Typenschild finden Sie im Inneren des Gerätes.

Klimaklasse	Max. Raumtemperatur	Relative Luftfeuchtigkeit
3	25	60%
4	30	55%
5	40	40%

- Achten Sie darauf, dass das Gerät mit einem Sicherheitsabstand von 20 cm (7 Zoll) von einer Wand oder von anderen Gegenständen entfernt aufgestellt wird, um ausreichende Luftzirkulation zu gewährleisten. Vergrößern Sie den Sicherheitsabstand, falls der angrenzende Gegenstand eine Wärmequelle ist.
- Das Gerät muss auf einem festen, ebenen Untergrund platziert werden, um Geräuschpegel und Vibrationen zu verringern. Justieren Sie die Schraubfüße um Unebenheiten auszubalancieren
- Das Gerät darf nicht direkter Sonneneinstrahlung ausgesetzt sein. In direkter Nähe sollten sich keine Wärmequellen wie Öfen oder Heizgeräte befinden.
- Achten Sie darauf, dass die Belüftung des Gerätes sichergestellt ist.
- Stromzufuhr und Spannungsversorgung müssen mit den Angaben auf dem Typenschild des Gerätes übereinstimmen. Der Netzstecker muss nach der Installation frei zugänglich sein.
- Stecken Sie den Netzstecker ordnungsgemäß ein und aus. Der Netzstecker muss fest in die Steckdose gesteckt werden. Ziehen Sie den Netzstecker stets durch Ziehen am Steckergehäuse aus. Ziehen Sie den Stecker niemals am Kabel heraus.
- Wenn das Gerät über einen längeren Zeitraum nicht benutzt wird, schalten Sie es aus und ziehen Sie den Netzstecker. Reinigen Sie das Gerät und öffnen Sie Türen und Deckel zur Vermeidung von Geruchsbildung.
- **WICHTIG! Achten Sie zu Ihrer Sicherheit darauf, dass das Gerät ordnungsgemäß geerdet ist!** Das Kabel dieses Gerätes besitzt eine Erdungsleitung sowie einen Schukostecker. Stecken Sie den Netzstecker in eine ordnungsgemäß geerdete und installierte Steckdose. Ziehen Sie einen qualifizierten Elektriker oder Kundendienst zu Rate, falls bei den Erdungsanweisungen Unklarheiten bestehen. Sollten Zweifel zur ordnungsgemäßen Erdung des Gerätes bestehen, lassen Sie den Stromkreislauf von einem qualifizierten Elektriker prüfen, um sicherzustellen, dass die Steckdose ordnungsgemäß geerdet ist.
- Sollte das Netzkabel nicht bis zur nächstgelegenen Steckdose reichen, verändern Sie entweder den Aufstellort oder lassen Sie von einem Elektriker eine Steckdose in der Nähe des Gerätes installieren.
- Warten Sie bei einem Stromausfall mindestens 3 Minuten, bevor Sie das Gerät wieder einschalten, um eine Beschädigung des Kompressors zu vermeiden.
- Schieben Sie die Regalplatten / Schubladen ein.

Hinweis: Sollte das Gerät nicht in aufrechter Position gelagert oder transportiert worden sein, lassen Sie es vor der Inbetriebnahme ca. 12 Stunden aufrecht stehen.

Hinweis: Reinigen Sie die Einlegeplatten und das Innere des Gerätes vor der ersten Inbetriebnahme mit Seifenwasser.

Funktion und Handhabung

Aufbewahrung von Lebensmitteln

Halten Sie die folgenden Hinweise ein, um ein bestmögliches Ergebnis zu erzielen:

- Füllen Sie das Gerät erst dann mit Lebensmitteln, wenn es die gewünschte Betriebstemperatur erreicht hat.
- Stellen Sie niemals unverschlossene heiße Speisen oder Flüssigkeiten in das Gerät.
- Lebensmittel sollten immer gut verpackt oder abgedeckt sein.
- Die Ventilatoren im Inneren des Gerätes dürfen nicht blockiert sein.
- Vermeiden Sie Türöffnungen über längere Zeiträume.
- Lagern Sie Lebensmittel im Gerät in entsprechenden Behältern. Lebensmittel sollten nicht unverpackt im Gerät gelagert werden.

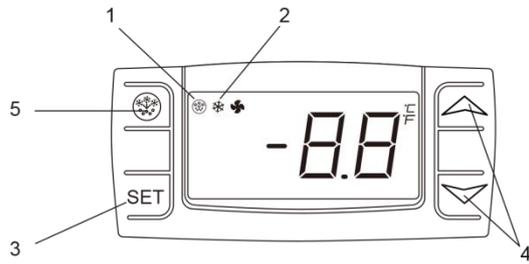
Das Gerät einschalten

- Schließen Sie die Tür des Gerätes.
- Der Netzschalter muss sich in der Position [O] befinden. Stecken Sie den Netzstecker in eine geeignete Steckdose.
- Schalten Sie den Netzschalter auf die Position [I]. Die gegenwärtige Temperatur im Geräteinneren wird angezeigt.
- Das * auf dem Bedienfeld blinkt, um die Verzögerung des Kompressorstarts anzuzeigen.

Funktion und Handhabung

Temperatureinstellung und Bedienpanel (Dixell)

- Das Bedienpanel des Thermostats:



1. Abtauindikator
2. Kompressorfunktionsindikator
3. SET Taste
4. Temperatureinstellungstasten
5. Abtautaste

Eingestellte Temperatur ablesen

- Drücken Sie einmal kurz die **SET**-Taste. Der Sollwert wird angezeigt.
- Drücken Sie die **SET**-Taste erneut und lassen Sie sie sofort los oder warten Sie für 15 Sekunden damit die normale Betriebsanzeige wieder erscheint.

Eingestellte Temperatur verändern

- Halten Sie die **SET**-Taste für mehr als zwei Sekunden gedrückt, um einen neuen Wert einzustellen.
- Der Temperaturwert wird angezeigt und das „°C“ beginnt zu blinken.
- Um den eingestellten Wert zu ändern, drücken Sie die „^“ (erhöhen) oder „v“ (verringern) Tasten innerhalb von 15 Sekunden.
- Um den neuen Temperaturwert zu speichern, drücken Sie entweder die **SET**-Taste erneut oder warten Sie 15 Sekunden.

Automatisches Abtauen

- Das Gerät führt automatische Abtauvorgänge durch.

Hinweis: Die Abtau-Zeitschaltung beginnt mit der ersten Inbetriebnahme des Gerätes.

Manuelles Abtauen:

- Drücken und halten Sie die Abtau-Taste  5 Sekunden lang.
- Der Abtauvorgang beginnt umgehend und die Abtauungs-LED leuchtet auf.

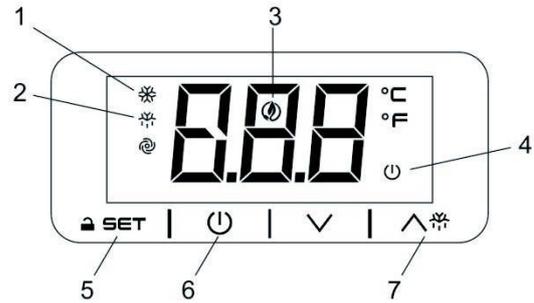
Hinweis: Beim manuellen Abtauen wird die Abtau-Zeitschaltung automatisch zurückgesetzt.

Funktion und Handhabung

Temperatureinstellung und Bedienpanel (Evco)

Die Vorderseite des Thermostates

1. LED Kompressor
2. LED Abtauen
3. LED Energiesparfunktion
4. LED Stand-by
5. Programmier Taste (nur Kundendienst)
6. Maschine /Stand -by (gedrückt halten)
7. Manuelle s Abtauen (gedrückt halten) Sperren/ Entriegeln der Tastatur («Loc» message)



STAND-BY Modus

- Die Taste  für 4 Sek. gedrückt halten. Das Gerät wird aus dem ON- Modus ins STAND-BY-Modus wechseln und umgekehrt.
- Während die Taste  gedrückt gehalten wird, blinkt LED und zeigt die Modusänderung.

Tastensperre

Drücken Sie eine beliebige Taste länger als zwei Sekunden und die Meldung "UnL" wird angezeigt, um die Tastatur zu entriegeln.

Hinweis: Aus Sicherheitsgründen wird die Tastatur automatisch nach 30s ohne Betätigung der Tasten gesperrt. Für Ausführung aller Operationen entsperren Sie zuerst die Tastatur

Einstellung und Ändern des Setpoints

- Drücken und sofort wieder **SET** loslassen. Der Sollwert wird angezeigt und  beginnt zu blinken .
- Um den eingestellten Wert zu ändern , drücken  oder  innerhalb 20 sek.
- Zum Speichern der neuen Sollwerte, nochmal bitte **SET** drücken oder abwarten 20 sek.

Automatisches Abtauen

- Das Gerät führt automatische Abtauvorgänge durch.

Hinweis: Der Zyklus beginnt von der Zeit an, zu der das Gerät zum ersten Mal eingeschaltet wurde.

Manuelles Abtauen:

- Drücken und halten die Taste DEFROST  für 3 sek;
- Der Abtauvorgang beginnt umgehend und die Abtauungs -LED leuchtet auf.

Hinweis: Beim manuellen Abtauen wird die Abtau -Zeitschaltung automatisch zurückgesetzt.

Reinigung, Pflege und Wartung

Routinemäßige Wartung

Schalten Sie das Gerät vor der Reinigung aus und ziehen Sie den Netzstecker.

- Reinigen Sie das Gehäuse und das Innere des Gerätes so oft wie möglich.
- Wischen Sie das Gerät mit einem feuchten Tuch ab. Achten Sie darauf, dass Schalter, Bedienfeld, Kabel und Netzstecker nicht nass werden.
- Verwenden Sie zur Reinigung keine aggressiven Reinigungsmittel. Diese könnten schädliche Rückstände hinterlassen. Verwenden Sie ausschließlich mildes Seifenwasser.
- Reinigen Sie die Türdichtung nur mit Wasser.
- Achten Sie darauf, dass Reinigungswasser niemals in elektrische Gerätekomponenten dringt.
- Reinigen Sie das Gerät niemals mit einem Hochdruckreiniger.
- Wischen Sie das Gerät nach der Reinigung mit einem weichen Lappen trocken.
- Reinigen Sie die Geräterückseite vorsichtig.
- Reparaturen müssen von einem Kundendienst oder einem qualifizierten Fachmann durchgeführt werden.
- Wenn das Gerät über einen längeren Zeitraum nicht verwendet wird, stellen Sie den Netzschalter in die Position AUS und ziehen Sie den Netzstecker. Leeren Sie alle Kühlfächer und reinigen Sie das Gerät gründlich. Lassen Sie die Tür auf um Geruchs- und Schimmelbildung zu vermeiden.

Spezielle Wartung

Die folgenden Anweisungen müssen von qualifizierten Fachleuten durchgeführt werden

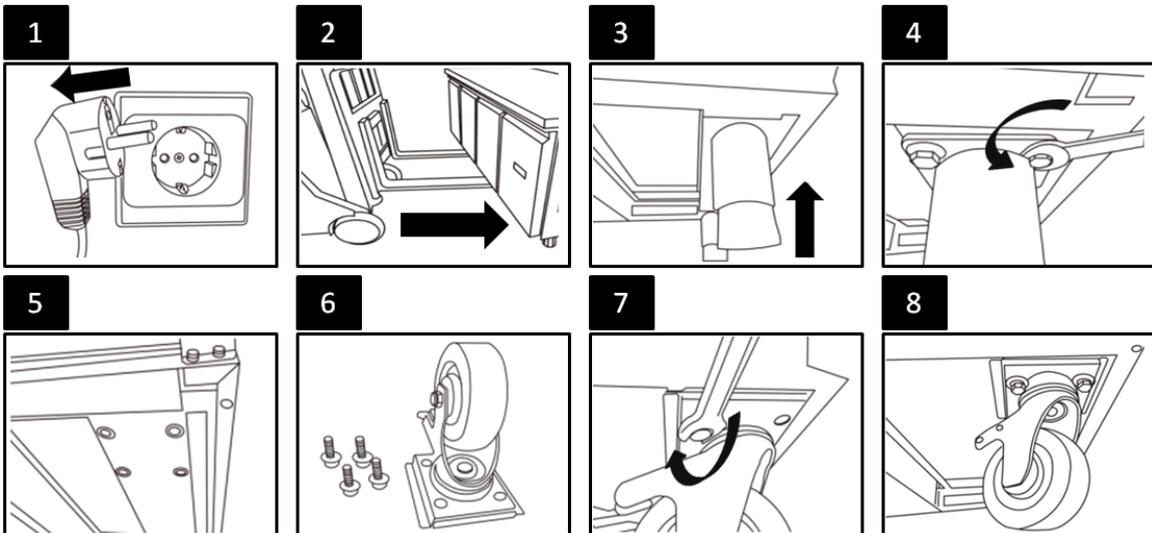
- Reinigen Sie den Kondensator regelmäßig mit einem geeigneten Hilfsmittel, (Staubsauger oder weiche Bürste) um die Lebensdauer des Gerätes zu verlängern.
- Elektrische Verbindungen dürfen nicht locker sein.
- Prüfen Sie, dass Thermostat und Sensor ordnungsgemäß funktionieren.

Optionales Zubehör

Vier Lenkrollen

Positionierung: Befestigen Sie die Lenkrollen mit Bremse an der Unterseite vorn und die beiden Lenkrollen ohne Bremse an der Unterseite hinten.

Vorgehensweise: Ersetzen Sie die FüÙe des Gerätes anhand der nachfolgenden 8 Schritte durch die Lenkrollen.



Hinweis: Falls Sie optionales Zubehör erwerben möchten, lassen Sie sich bitte von unserem Verkaufsteam beraten.

Achtung:

- Trennen Sie das Gerät vor der Installation vom Netzstrom.
- Sichern Sie den Gabelstapler vor der Installation.
- Sichern Sie alle EinschüÙe, Regale, Deckel und Türen vor der Installation.
- Leeren Sie den Schrank vor der Installation.
- Verriegeln Sie nach der Installation die Bremsen an den Lenkrollen.

Fehlerbehebung

Störung	Mögliche Ursache	Fehlerbehebung
Der Gerät funktioniert nicht.	Das Gerät ist nicht eingeschaltet.	Vergewissern Sie sich, dass das Gerät mit dem Stromnetz verbunden und eingeschaltet ist
	Stecker oder Kabel sind beschädigt.	Kontaktieren Sie einen unserer Mitarbeiter oder einen qualifizierten Techniker
	Sicherung im Stecker beschädigt	Kontaktieren Sie einen unserer Mitarbeiter oder einen qualifizierten Techniker
	Energieversorgung	Überprüfen Sie die Energieversorgung
Der Kühlschrank lässt sich einschalten, doch die Temperatur ist zu niedrig/hoch.	Zu viel Eis im Verdampfer	Tauen Sie den Kühlschrank ab.
	Der Kondensator wird durch Staub blockiert.	Säubern Sie den Kondensator.
	Die Tür ist nicht richtig geschlossen.	Vergewissern Sie sich, dass die Tür geschlossen und dass die Dichtung nicht beschädigt ist.
	Das Gerät befindet sich nahe einem Wärme erzeugenden Gerät oder die Luftzufuhr zum Kondensator ist unterbrochen.	Finden Sie einen geeigneteren Aufstellungsort für den Kühlschrank.
	Die Umgebungstemperatur ist zu hoch.	Erhöhen Sie die Belüftung oder stellen Sie den Kühlschrank an einem kühleren Ort auf.
	Ungeeignete Nahrungsmittel werden im Gerät gelagert. Entfernen Sie überschüssige, heiße Lebensmittel oder Blockierungen zum Lüfter	Entfernen Sie überschüssige, heiße Lebensmittel oder Blockierungen zum Lüfter.
	Der Kühlschrank ist überladen.	Reduzieren Sie die gelagerten Nahrungsmittel im Gerät.
Der Kühlschrank ist ungewöhnlich laut.	Muttern/ Schrauben lose.	Überprüfen Sie alle Muttern und Schrauben und ziehen Sie diese fest.
	Das Gerät ist nicht ebenerdig aufgestellt	Prüfen Sie den Standort und ändern Sie diesen, wenn notwendig
Das Gerät verliert Wasser.	Das Gerät ist nicht ebenerdig aufgestellt.	Passen Sie die Schraubfüße des Kühlschranks so an, dass das Gerät waagrecht steht.
	Der Abfluss ist blockiert.	Reinigen Sie die Abflussöffnung
	Der Wasserbehälter ist defekt.	Kontaktieren Sie einen unserer Mitarbeiter oder einen qualifizierten Techniker
	Der Wasserbehälter ist voll.	Leeren Sie den Wasserbehälter

Entsorgung

Wenn das Gerät nicht länger verwendet wird und Sie es entsorgen möchten, entfernen Sie die Türen, um zu verhindern, dass kleine Kinder im Innern eingesperrt werden. Entsorgen Sie das Gerät auf umweltfreundliche Weise.

Kontaktieren Sie einen qualifizierten Service- Techniker

1. Um das gesamte Freon/Kühlmittel ordnungsgemäß abzulassen
2. Um den Kompressor zu entfernen, oder um das Öl aus dem Kompressor zu entfernen
3. Um die Treibmittel der brennbaren Isolierung zu entfernen.

Dann kann der Großhändler/Händler das örtliche Entsorgungszentrum kontaktieren, um das Gerät, die Regalteile usw. abzuholen.

Möglicherweise gibt es spezielle Anforderungen oder Bestimmungen zur Entsorgung von Kühlgeräten.

Informationen erhalten Sie von:

- Ihrem Lieferanten
- Regierungsbehörden (Gemeinderat, Umweltministerium usw.)

Per Gesetz kann die ordnungswidrige Entsorgung von Sondermüll mit Geld- und Freiheitsstrafen gemäß den Bestimmungen der Umweltauflagen geahndet werden.

1. Das Kühlmittel dieses Geräts ist ein Kohlenwasserstoff Kältemittel, welches vom Kyoto-Protokoll abgedeckt ist.
2. Gelangt das Kältemittel in die Atmosphäre, schadet dies der Umwelt, indem die Erderwärmung gefördert wird. Das Erderwärmungspotential (GWP) von R134a ist 1430, von R404a ist 3922 und von R600a/R290 is 3.

Entsorgung



Alt-Elektrogeräte sind Wertstoffe, sie gehören daher nicht in den Hausmüll! Wir möchten Sie daher bitten, uns mit Ihrem aktiven Beitrag bei der Ressourcenschonung und beim Umweltschutz zu unterstützen und dieses Gerät bei den -falls vorhanden- eingerichteten Rücknahmestellen abzugeben.



PAP

Entsorgen Sie die Verpackung gemäß den geltenden gesetzlichen Bestimmungen.

Technische Daten

Modell	Kühlschrank/ Gefrierschrank (1 Tür, 2 Türen)
Klimaklasse	Die genauen technischen Daten Ihres Geräts finden Sie auf dem Typenschild. Dieses finden Sie auf der Rückseite Ihres Geräts sowie im Inneren des Geräts. Der Schaltplan ist ebenfalls auf Rückseite und sowie Inneren des Geräts angebracht.
Kühlmittel	
Kühlmittelmenge	
Temperaturbereich(°C)	
Nennleistung	
Nennfrequenz	
Nennspannung	
Innere Kapazität	
Nettogewicht	
Bruttogewicht	
Schäumungsmittel	
Außenabmessung (mm)	



VORSICHT: FEUER- UND EXPLOSIONSGEFAHR MIT BRENNBAREM KÜHLMITTEL R600a/R290.



Gewährleistung

Für dieses Produkt gilt die gesetzliche Gewährleistung.

Schäden, die durch unsachgemäße Behandlung oder Bedienung, durch falsches Aufstellen oder Aufbewahren, durch unsachgemäßen Anschluss oder Installation, sowie durch höhere Gewalt oder sonstige äußere Einflüsse entstehen, fallen nicht unter die Gewährleistung. Falls produktspezifische Hinweise beiliegen, empfehlen wir dringend diese zu lesen und zu beachten.

Hinweise:

1. Sollte Ihr Produkt nicht mehr richtig funktionieren, prüfen Sie bitte zunächst, ob andere Gründe, wie z. B. eine unterbrochene Stromversorgung (insofern es sich um ein elektronisches Gerät handelt) oder generell eine falsche Handhabung, die Ursache sein könnten.
2. Beachten Sie bitte, dass Sie Ihrem defekten Produkt nach Möglichkeit folgende Unterlagen bzw. Informationen beifügen oder diese bereithalten:
 - Kaufquittung
 - Gerätebezeichnung/ Typ/ Marke
 - Beschreibung des aufgetretenen Mangels mit möglichst genauer Fehlerangabe

Bei Gewährleistungsansprüchen oder Störungen wenden Sie sich bitte an Ihre Einkaufsstätte.

GWL 8/14 DE

Cher Client,

Félicitations pour l'achat de ce produit. Veuillez prendre quelques minutes pour lire les instructions d'utilisation suivantes avant de commencer à utiliser l'appareil.



Table des matières

Aperçu du produit	33
Conseils relatifs à la sécurité.....	34
Utilisation prévue.....	36
Emplacement et installation.....	36
Mise en route.....	37
Nettoyage, soin et entretien.....	40
Accessoires optionnels	41
Dépannage.....	42
Mise au rebut.....	43
Données techniques.....	44
Garantie	44

Aperçu du produit

Description du produit
Réfrigérateur (1 porte)
Réfrigérateur (2 porte)
Congélateur (1 porte)
Congélateur (2 porte)

Conseils relatifs à la sécurité



IMPORTANT: Pour votre sécurité, veuillez lire le manuel attentivement avant d'installer ou d'utiliser ce produit. Conservez ce manuel pour consultation ultérieure.

Consultez les normes locales et nationales suivantes pour vous y conformer:

1. Législation relative à la santé et à la sécurité au travail
2. Mesures anti-incendie
3. Normes de câblage IEE
4. Normes de construction
5. **NE PAS** utiliser l'appareil à l'extérieur.
6. **NE PAS** tenter de réparer l'appareil par soi-même.
7. **NE PAS** utiliser d'appareils endommagés. En cas de doute, veuillez consulter des réparateurs agréés.
8. **NE PAS** utiliser d'appareils électriques à l'intérieur de l'appareil (p. ex. des appareils de chauffage, des sorbetières, etc.), à moins que ceux-ci ne soient du type recommandé par le fabricant.
9. Évitez d'obstruer les orifices de ventilation de l'enceinte de l'appareil ou de la structure intégrée.
10. **NE PAS** utiliser de dispositifs mécaniques ou tous autres moyens pour accélérer le processus de dégivrage autres que ceux recommandés par le fabricant.
11. **NE PAS** endommager le circuit réfrigérant.
12. **NE PAS** vous tenir debout ou prendre appui sur la base, les tiroirs ou la porte.
13. **NE PAS** laisser de l'huile ou de la graisse entrer en contact avec les éléments en plastique ou le joint de la porte. En cas de contact, nettoyez immédiatement.
14. Cet appareil peut être utilisé par des enfants de 8 ans et plus et par des personnes ayant des capacités physiques, sensorielles ou mentales réduites ou manquant d'expérience et de savoir-faire sous réserve qu'elles soient sous la surveillance d'une personne ou aient reçu des instructions concernant l'utilisation de l'appareil en toute sécurité et qu'elles comprennent les dangers que l'appareil présente (pour le marché européen).
15. Ne laissez pas les enfants jouer avec l'appareil.
16. Le nettoyage et l'entretien de la part de l'utilisateur ne doivent pas être effectués par des enfants laissés sans surveillance.

Conseils relatifs à la sécurité

17. **NE** placez **AUCUNE** substance combustible, explosive ou volatile, ni aucun fluide agressif, acide et alcalin dans l'appareil.
18. **NE PAS** utiliser cet appareil pour stocker des fournitures médicales.
19. **NE PAS** utiliser de nettoyeurs à jet/haute pression pour nettoyer l'appareil.
20. **NE PAS** laisser les enfants jouer avec l'emballage, et détruisez tous sacs en plastique de manière sécurisée.
21. Les bouteilles contenant un pourcentage élevé d'alcool doivent être fermées hermétiquement et placées à la verticale dans le réfrigérateur.
22. Transportez, rangez et manipulez toujours l'appareil en le positionnant à la verticale et déplacez-le en tenant la base de l'appareil.
23. Mettez toujours l'appareil hors tension, puis débranchez-le de la prise de courant avant de procéder à son nettoyage.
24. Si le cordon d'alimentation est endommagé, son remplacement doit être confié au fabricant, à son service de réparation ou à une personne possédant les mêmes qualifications, afin de prévenir tout risque.
25. L'utilisation de cet appareil n'est pas destinée aux personnes (y compris les enfants) ayant des capacités physiques, sensorielles ou mentales réduites ou à celles manquant d'expérience et de savoir-faire, à moins qu'elles ne soient sous la surveillance ou reçoivent des instructions d'une personne responsable de leur sécurité (pour le marché en dehors de l'Europe).
26. Surveillez vos enfants afin de vous assurer que ceux-ci ne jouent pas avec l'appareil.
27. Utilisation réservée exclusivement à l'intérieur. Cet appareil n'est pas conçu pour être utilisé dans un endroit où des jets d'eau peuvent être utilisés. L'appareil ne doit pas être nettoyé par jet d'eau.
28. Afin de garantir une utilisation en toute sécurité, assurez-vous que l'appareil est installé et branché conformément aux descriptions données dans le manuel d'utilisation.
29. Toutes réparations et tous travaux sur l'appareil doivent être effectués exclusivement par notre service clientèle/technicien qualifié.
30. La clé du meuble électrique doit être conservée hors de la portée des enfants et utilisateurs.
31. Ne gardez pas de substances explosives, notamment des contenants d'aérosol avec des gaz propulseurs inflammables, dans cet appareil.

Utilisation prévue

Utilisez cet appareil exclusivement pour la réfrigération et le stockage de produits alimentaires et de boissons à des fins commerciales.

Emplacement et installation

- Retirez l'emballage de l'appareil. Assurez-vous de retirer de toutes les surfaces l'intégralité des films et revêtements de protection en plastique. Afin de prévenir tous risques de blessures et d'endommagement de l'appareil, nous recommandons que l'appareil soit déballé et installé par deux personnes.
- La catégorie climatique est indiquée sur la plaque signalétique. Elle indique à quelles températures ambiantes l'appareil peut fonctionner. La plaque signalétique se trouve à l'intérieur de l'appareil.

Classe climatique	Max. température ambiante	l'humidité relative de l'air
3	25	60%
4	30	55%
5	40	40%

- Conservez une distance de 20 cm (7 pouces) entre l'appareil et les murs ou tout autre objet, pour permettre une ventilation optimale. Augmentez cette distance si l'obstacle est une source de chaleur.
- L'appareil doit être posé sur un sol solide, nivelé et stable afin de réduire au minimum tous bruits et vibrations. Mettez l'appareil à niveau en réglant les pieds.
- Évitez d'installer l'appareil en l'exposant aux rayons du soleil ou à proximité de sources thermiques, notamment des fours ou des radiateurs.
- Veuillez vous assurer que l'appareil est correctement ventilé.
- Vérifiez si l'alimentation électrique correspond à la tension indiquée sur la plaque signalétique. La fiche doit être accessible après installation.
- Branchez et débranchez la fiche de manière appropriée. Lorsque vous insérez la fiche dans une prise, assurez-vous que la fiche est entièrement insérée. Lorsque vous débranchez l'appareil, faites-le en tenant le corps de la fiche. Ne tirez jamais le cordon d'alimentation directement.
- Si vous envisagez de mettre l'appareil hors service pendant une période prolongée, mettez-le hors tension, puis débranchez-le de la prise de courant. Nettoyez l'appareil et laissez la porte ouverte afin d'éviter les mauvaises odeurs dans l'appareil.
- **Important! Pour votre sécurité personnelle, cet appareil doit être mis à la terre de manière appropriée.** Cet appareil est muni d'un cordon électrique comportant un conducteur de terre et une prise de mise à la terre. La fiche doit être insérée dans une prise mise à la terre et installée de manière appropriée. Consultez un électricien qualifié ou un centre de réparation si vous ne comprenez pas parfaitement les instructions de mise à la terre. En cas de doute concernant la mise à la terre adéquate de l'appareil, faites contrôler le circuit par un électricien qualifié afin de vous assurer que la prise de courant est mise à la terre de manière appropriée.
- Si le cordon d'alimentation n'atteint pas la prise de courant la plus proche, réorganisez l'agencement du magasin ou demandez à un électricien qualifié d'installer une nouvelle prise.
- En cas de coupure de courant, patientez au moins 3 minutes avant de redémarrer l'appareil, afin d'éviter d'endommager le compresseur.
- Faites glisser l'étagère/le tiroir pour la/le mettre en place.
Remarque: Si l'unité n'a pas été stockée ou déplacée dans une position verticale, posez-la verticalement pendant environ 12 heures avant de l'utiliser.
Remarque: Avant d'utiliser l'appareil pour la première fois, nettoyez les étagères et l'intérieur à l'eau savonneuse.

Mise en route

Stockage des aliments

Suivez ces instructions afin d'obtenir les meilleurs résultats de votre appareil :

- Rangez des produits alimentaires dans l'appareil uniquement lorsque celui-ci a atteint la température de fonctionnement correcte.
- Ne placez pas d'aliments ou de liquides chauds non recouverts à l'intérieur de l'appareil.
- Emballez ou recouvrez les aliments dans la mesure du possible.
- N'entrez pas les ventilateurs à l'intérieur de l'appareil.
- Évitez d'ouvrir la porte pendant des périodes prolongées.
- Les aliments doivent être mis dans des récipients avant d'être placés dans le meuble frigorifique ou sur l'étagère. Les aliments ne doivent pas être placés directement dans le meuble frigorifique.

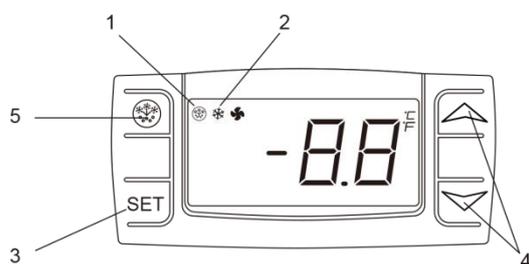
Mise en marche

- Fermez la porte de l'appareil.
- Assurez-vous que le commutateur d'alimentation est positionné sur [O], puis branchez l'appareil à la prise de courant.
- Mettez sous tension [I]. La température actuelle à l'intérieur de l'appareil s'affiche.
- Le voyant ✱ qui se trouve sur le panneau de commande clignote pour indiquer un retard de démarrage du compresseur.

Mise en route

Réglage et commande de la température (Dixell)

- Le panneau avant de l'écran du thermostat:



1. Voyant de dégivrage
2. Voyant de fonctionnement du compresseur
3. Touche **SET**
4. Touches de modification de la température
5. Bouton **DEFROST**

Comment voir la limite définie

- Appuyez sur la touche **SET**, puis relâchez-la immédiatement, la limite définie s'affiche ;
- Appuyez à nouveau sur la touche **SET**, puis relâchez-la immédiatement ou patientez pendant environ 15 s pour retourner à la visualisation normale.

Comment modifier la limite définie

- Appuyez sur la touche **SET** pendant plus de 2 secondes afin de modifier la valeur de la limite définie ;
- La valeur de la limite définie s'affiche et le l'indicateur « °C » commence à clignoter ;
- Pour modifier la valeur définie, appuyez sur les flèches " ^ " ou " v " dans un délai de 15s.
- Pour mémoriser les nouvelles valeurs de la limite définie, appuyez à nouveau sur la touche **SET** ou patientez pendant 15 s.

Dégivrage automatique

L'appareil exécute automatiquement des cycles de dégivrage.

Remarque: Le cycle démarre lors de la mise en marche initiale de l'appareil.

Dégivrage manuel :

- Appuyez sur la touche **DEFROST**  et maintenez-la enfoncée pendant 5 secondes.
- Le cycle de dégivrage démarrera immédiatement et le témoin lumineux de Dégivrage s'allumera.

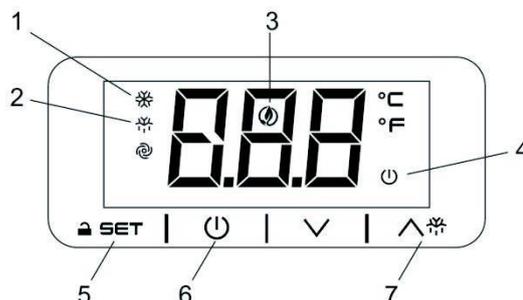
Remarque: Lancer un cycle de dégivrage réinitialise également le minuteur automatique de dégivrage.

Mise en route

Guide D'Utilisation Et RÉGlage Du Point De Consigne Du Thermostat(EVCO)

La façade du thermostat

1. Led fonctionnement Compresseur
2. Led Dégivrage
3. Led Energy saving
4. Led Stand-by
5. Touche programmation (seulement pour les utilisateurs autorisés)
6. Touche On/Stand-by (maintenir appuyer)
7. Touche dégivrage manuel (maintenir appuyer)



Comment mettre l'appareil dans l'état ON / STAND -BY

- Appuyez et maintenez la touché  pendant 4s, l'appareil va passer de l'état ON à STAND-BY e vis-versa.
- Pendant que la touché  est maintenu la LED va clignoter pour indiquer le changement d'état

Comment déverrouiller le clavier («Loc» message)

- Appuyez sur un bouton pendant plus de 2s, le message «UnL» apparaîtra et le clavier sera déverrouillé.

Note: pour des raisons de sécurité le clavier se verrouille automatiquement après 30s d'inactivité sur les touches. Pour exécuter toute opération, il faut d'abord déverrouiller le clavier.

Comment visualiser et modifier le point de consigne

- Appuyer et relâcher immédiatement la touché **SET**, le point de consigne sera visualisé et  commence à clignoter ;
- Pour changer la valeur appuyer sur la touché  ou  dans les 20 secondes.
- Pour mémoriser la nouvelle valeur du point de consigne appuyer sur la touche **SET** ou attendre 20 sec.

Dégivrage automatique

Les appareils exécuteront automatiquement un cycle de dégivrage.

Remarque: le cycle commence à partir du moment où l'appareil est mis sous tension.

Pour faire un dégivrage manuel :

- Appuyez et maintenez la touche DEGRIVRAGE  pendant 3s.
- Le cycle de dégivrage commencera immédiatement et l'indicateur lumineux de dégivrage s'allumera.

Remarque: lors du dégivrage automatique, la minuterie du dégivrage se remet automatiquement à zéro. Le prochain cycle de dégivrage automatique commence après le dégivrage manuel.

Nettoyage, soin et entretien

Entretien de routine

Mettez l'appareil hors tension, puis débranchez la fiche d'alimentation de la prise de courant avant de procéder au nettoyage.

- Nettoyez l'enceinte et l'intérieur de l'appareil aussi souvent que possible.
- Nettoyez l'appareil à l'aide d'un chiffon humide. Ne laissez jamais le commutateur, le panneau de commande, le cordon et la fiche d'alimentation trempé.
- N'utilisez aucun produit de nettoyage abrasif. Ceux-ci risquent de laisser des résidus nocifs. Utilisez exclusivement de l'eau savonneuse douce.
- Nettoyez le joint de la porte à l'eau exclusivement.
- Veillez à ce qu'aucune goutte d'eau de nettoyage ne s'infilte dans les composants électriques.
- L'appareil ne doit pas être nettoyé par jet d'eau.
- Après nettoyage, essuyez toujours à l'aide d'un chiffon doux et sec.
- Ne laissez pas l'eau utilisée pour le nettoyage passer dans l'orifice d'évacuation vers le ventilateur d'évaporation.
- Prenez garde lorsque vous procédez au nettoyage du dos de l'appareil.
- En cas de besoin, toutes réparations doivent être confiées à un technicien qualifié.
- Si vous ne comptez pas utiliser l'appareil pendant une période prolongée, débranchez l'appareil après positionnement du commutateur sur OFF, videz le compartiment de refroidissement, puis nettoyez-le entièrement.

Entretien spécial

Les instructions données dans le paragraphe suivant peuvent être suivies par des techniciens qualifiés

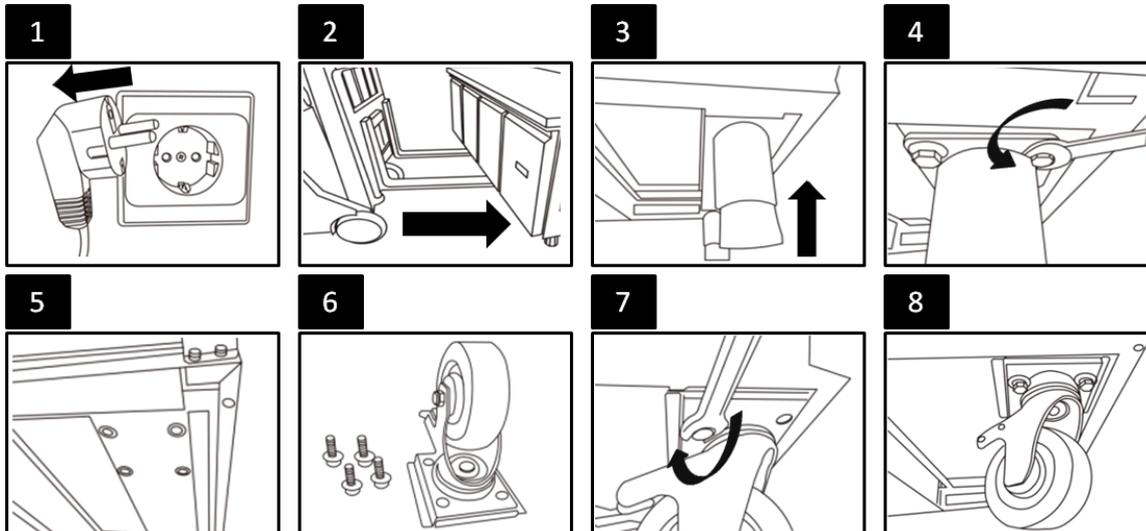
- Le nettoyage périodique du condensateur à l'aide d'outils adaptés (aspirateur ou brosses souples) peut prolonger la durée de vie de l'appareil.
- Assurez-vous que les raccordements électriques ne sont pas desserrés.
- Assurez-vous que le thermostat et le capteur sont en bon état de fonctionnement.

Accessoires optionnels

4 Roulettes

Positionnement : 2 roulettes avec frein à fixer en bas à l'avant et 2 roulettes sans frein à fixer en bas à l'arrière.

Procédure : Suivez les 8 étapes ci-dessous pour remplacer les pieds de l'appareil par des roulettes.



Remarque: Si vous prévoyez l'achat d'accessoires optionnels , veuillez vous renseigner auprès de notre personnel des ventes.

Attention :

- Débranchez l'appareil de la prise de courant principale avant d'effectuer le remplacement.
- Sécurisez le chariot élévateur avant d'effectuer le remplacement.
- Sécurisez les tiroirs, étagères, couvercles rabattables et portes avant d'effectuer le remplacement.
- Videz le meuble frigorifique avant d'effectuer le remplacement.
- Mettez les freins des roulettes en position verrouillage après le remplacement.

Dépannage

Panne	Défaillance éventuelle	Gestes de résolution des problèmes
L'appareil ne fonctionne pas correctement	L'appareil n'est pas mis sous tension	Vérifiez que l'unité soit correctement branchée et sous tension
	Fiche et/ou câble endommagés	Contactez votre agent ou technicien qualifié
	Un fusible dans la fiche a sauté	Remplacez le fusible (fiche Royaume-Uni)
	Alimentation	Vérifiez la source d'alimentation
L'appareil se met sous tension, mais la température est trop élevée/basse	Trop de glace sur l'évaporateur	Dégivrez l'appareil
	Condensateur obstrué par la poussière	Contactez votre agent ou technicien qualifié
	Les portes ne se ferment pas correctement	Vérifiez que les portes se ferment bien et que les joints ne sont pas endommagés
	L'appareil est placé à proximité d'une source de chaleur ou le flux d'air vers le condensateur est interrompu	Déplacez le réfrigérateur vers un emplacement plus approprié
	Température ambiante trop élevée	Augmentez l'aération ou déplacez l'appareil vers une position moins chaude
	Des produits alimentaires non adaptés sont stockés dans l'appareil	Retirez tous produits alimentaires en excès ou toutes obstructions du ventilateur
	L'appareil est surchargé	Réduisez la quantité d'aliments stockés dans l'appareil
L'appareil est particulièrement bruyant	Desserrez l'écrou/la vis	Contrôlez et serrez l'ensemble des écrous et vis
	L'appareil n'a pas été installé dans une position stable et à niveau	Vérifiez la position d'installation et changez-la, au besoin
L'appareil a une fuite d'eau	L'appareil n'est pas mis à niveau correctement	Ajustez la hauteur des pieds réglables et mettez l'appareil à niveau (le cas échéant)
	L'orifice de décharge est bouché	Nettoyez l'orifice de décharge
	Le mouvement d'eau vers l'évacuation est obstrué	Nettoyez le sol de l'appareil (le cas échéant)
	Le réservoir d'eau est endommagé	Contactez votre agent ou technicien qualifié
	Le bac récepteur déborde	Videz le bac récepteur (le cas échéant)

Mise au rebut

Si l'appareil ne sert plus et que vous souhaitez le mettre au rebut, retirez-en les portes afin d'empêcher tout enfant en bas âge de s'y retrouver piégé. Veuillez en conséquence le mettre au rebut d'une manière favorable à la protection de l'environnement.

Contactez un technicien d'entretien qualifié :

1. Pour récupérer tout le fréon/réfrigérant
2. Pour retirer le compresseur ou retirer l'huile du compresseur
3. Pour retirer les gaz propulseurs d'isolant inflammables

Ensuite, le distributeur/revendeur peut contacter le centre local de recyclage de métaux pour le ramassage des éléments restants du meuble, des étagères, etc.

Des exigences ou conditions particulières peuvent être en vigueur. Vous pouvez obtenir des informations relatives à la mise au rebut des appareils de froid auprès de :

- Votre fournisseur
- Les autorités publiques (le conseil municipal, le Ministère de l'Environnement, etc.)

En vertu de la loi, la mise au rebut de déchets dangereux peut faire l'objet d'amendes et d'emprisonnement aux termes des dispositions des règles applicables en matière d'environnement.

1. Le réfrigérant de cet appareil est un réfrigérant à base d'hydrocarbures et couvert par le Protocole de Kyoto.
2. Le relâchement du réfrigérant dans l'atmosphère risque de nuire à l'environnement en contribuant au réchauffement de la planète. Le potentiel de réchauffement de la planète (GWP) de R134a est 1430, de R404a est 3922, de R600a/R290 est 3.

Mise au rebut



Les appareils électriques usagés sont recyclables et ne doivent pas être jetés avec les ordures ménagères ! Veuillez nous soutenir activement dans notre effort de conservation et de protection de l'environnement en retournant cet appareil aux centres de collecte (le cas échéant).



Mettez les matériaux d'emballage au rebut en respectant les réglementations légales en vigueur.

Donées techniques

Modèle	Réfrigérateur/ Congélateur (1 porte, 2 porte)
Classe climatique	Veuillez vous référer aux informations indiquées sur le produit. Vous trouverez ces informations sur la plaque signalétique apposée au dos de l'appareil ainsi qu'à l'intérieur du compartiment de réfrigération. Le schéma des circuits est apposé au dos de l'appareil ainsi qu'à l'intérieur du compartiment de réfrigération.
Gaz frigorigène	
Charge de réfrigérant	
Gamme de températures (°C)	
Puissance d'entrée	
Fréquence nominale	
Tension nominale	
Volume interne	
Poids net	
Poids brut	
Agent moussant	
Dimensions extérieures (mm)	



PRÉCAUTION: RISQUE D'INCENDIE ET D'EXPLOSION LIÉ AU RÉFRIGÉRANT INFLAMMABLE R600a/ R290.



Garantie

Une garantie légale s'applique au présent produit.

Cette garantie ne couvre pas les dommages résultant d'une mauvaise utilisation ou d'un abus, d'un placement ou d'un branchement inapproprié, d'une conservation ou d'une installation incorrecte, ou encore de l'usage de la force ou d'une cause externe. Nous vous recommandons de lire attentivement le mode d'emploi car il contient des informations importantes.

Remarque :

1. Si ce produit ne fonctionne pas convenablement, veuillez en premier lieu vérifier qu'il ne s'agit pas d'un dysfonctionnement. Contrôlez p. ex. qu'une coupure de courant, ou qu'une mauvaise manipulation n'en est pas la cause.
2. Veuillez noter que, lorsque cela est possible, les documents suivants ou les informations doivent être joints avec le produit défectueux :
 - Reçu de caisse
 - Description/type/marque du modèle
 - Décrivez la panne et le problème avec autant de détails que possible.

En cas de réclamation pour défaut ou pour faire jouer la garantie, veuillez contacter le vendeur.

GWL 7/08 E/FR

**Estimado cliente,
Estimada clienta.**

Felicitaciones por la adquisición de su producto. Como todos los productos, también este producto ha sido desarrollado de acuerdo con la tecnología más moderna, y utilizando componentes eléctricos confiables y modernos.

Por favor, tómese unos minutos antes de iniciar la operación del aparato, para leer con detenimiento las siguientes instrucciones de operación.



Tabla de contenidos

Panorâmica do produto.....	47
Indicaciones de seguridad	48
Destinación de uso	50
Colocación y alineación	51
Función	52
Limpeza y mantenimiento	55
Accesorio opcional	56
Resolución de problemas	57
Eliminación	58
Datos Técnicos	59
Garantía	59

Panorâmica do produto

Descrição do artigo
Frigorífico (1 porta)
Frigorífico (2 porta)
Congelador (1 porta)
Congelador (2 porta)

Indicaciones de seguridad



Importante: antes de poner el expositor en funcionamiento, para mayor seguridad lea estas instrucciones con cuidado. Guarde estas instrucciones para poderlas consultar en caso de necesidad.

Verifique que el cumpla con los puntos que se detallan a continuación, relativos al país en donde se utilice:

1. Normativa de salud y seguridad ocupacional en el lugar de trabajo.
2. Especificaciones de protección antillama.
3. IEE – Normativa para instalaciones eléctricas.
4. Ordenanzas constructivas.
5. Nunca utilice el al aire libre.
6. Nunca realice trabajos de mantenimiento en este artefacto.
7. No utilice el si exhibe daños. En caso de duda, diríjase al servicio al cliente.
8. En ningún caso utilice otros aparatos eléctricos en el interior de este (como por ejemplo, calentadores, máquinas para hielo, etc.) except que los mismos estén expresamente autorizados por el fabricante.
9. Cuide de no tapar los orificios para ventilación en la carcasa del artefacto o en sus partes.
10. En ningún caso intente acelerar el proceso de descongelamiento por medios mecánicos o similares, excepto que el fabricante lo autorice expresamente.
11. Nunca dañe el circuito frigorífico del artefacto.
12. NO apoyarse en el aparato, en la puerta o en los soportes.
13. Asegúrese de que los componentes de plástico **NO** entren en contacto con aceites ni grasas. Límpielos inmediatamente si esto ocurriese.
14. Este product puede ser usado por niños mayores de 8 años, personas con capacidades mentales o sensoriales reducidas y sin experiencia o conocimientos en el uso del product solo si lo hacen bajo supervision o instrucción acerca del usodel product de manera segura, comprendiendo los riesgos involucrados. Los niños no deben jugar con el aparato; la limpieza y el mantenimiento de parte del usuario no debe realizarse por parte de niños sin supervision

Indicaciones de seguridad

15. No deje que los niños jueguen con el aparato.
16. Limpieza y mantenimiento del usuario no deben ser llevadas a cabo por los niños sin supervisión.
17. Nunca coloque en el interior del artefacto objetos inflamables, explosivos o volátiles, sustancias corrosivas, álcalis u otros líquidos.
18. En ninguna circunstancia guarde sustancias de uso médico en el artefacto.
19. Nunca limpie el artefacto con un hidrolavador a presión.
20. Nunca permita que los niños jueguen con el material de embalaje. Elimine correctamente las bolsas plásticas.
21. Las botellas con elevado porcentaje de alcohol deben guardarse verticalmente en el refrigerador.
22. Transporte, almacene y opere el aparato siempre en posición vertical. Agarre el aparato por la base para transportarlo.
23. Antes de limpiar el artefacto, deberá desconectarlo por completo y desenchufarlo.
24. En caso de dañarse la clavija de enchufe, la misma deberá ser reemplazada de inmediato por el fabricante, por un técnico cualificado o por parte de un servicio técnico.
25. Este artefacto no puede ser utilizado por personas con capacidades físicas, sensoriales o mentales limitadas, ni por personas con escasa experiencia e información, ni por menores de edad, excepto que los mismos estén bajo la estricta observación o sean debidamente instruidos por las personas responsables de su seguridad.
26. Los niños siempre deberán estar vigilados para que no jueguen con el expositor.
27. El expositor está concebido sólo para su uso doméstico. No puede colocarse cerca de un chorro de agua, y en ningún caso se puede limpiar con un hidrolavador a presión.
28. Para garantizar una operación segura del expositor, el mismo se deberá montar y conectar tal como se describe en el presente manual.
29. Los trabajos de reparación y mantenimiento sólo pueden ser llevados a cabo por un técnico cualificado, o por parte de un servicio técnico.

Indicaciones de seguridad

- 30.El acceso a la nevera/congeladora deberá mantenerse fuera del alcance de los niños.
- 31.No insertar en este aparato material explosivo, por ejemplo depósitos de aerosol con gas inflamable.

Destinación de uso

Este aparato está destinado únicamente a la conservación de alimentos y bebidas.

Colocación y alineación

- Desembalar el aparato. Comprobar que todos los plásticos protectivos y las protecciones se eliminen por completo de todas las superficies. Para evitar accidentes o daños, el aparato debe desembalarse y montarse por dos personas.
- La clase climática se encuentra en la placa de características. Especifica las temperaturas ambientes a las que se puede accionar el aparato. La placa de características se encuentra dentro del aparato.

Clase climática	Max. temperature ambiente	Humedad relativa del aire
3	25	60%
4	30	55%
5	40	40%

- Instale el Aparato con una separación mínima de 20 cm (7 pulgadas) respecto de la pared o de otros objetos, para garantizar suficiente ventilación. Aumente la distancia si el objeto vecino incluye una fuente de calor.
 - Para reducir los ruidos y las vibraciones, colocar el aparato en una superficie estable. Alinear el aparato ajustando los pies.
 - No podrá haber fuentes de calor directas, como por ejemplo un horno o un calefactor.
 - Asegúrese de que la ventilación del expositor funcione adecuadamente.
 - Comprobar que el voltaje y la tensión utilizados sean compatibles con las características puestas en la etiqueta. El enchufe debe encontrarse a mano tras la instalación.
 - Conectar y desconectar correctamente el enchufe. Al insertar, asegurarse que el enchufe está bien posicionado. Al desconectar, mantener la toma de corriente con una mano y separar el enchufe con la otra. No tirar nunca de la cuerda.
 - En caso de no utilizar durante mucho tiempo, desenchufar y apagar completamente el aparato. Limpie el aparato y deje la puerta abierta para prevenir el mal olor.
 - **¡Importante! Asegurarse que el aparato esté correctamente conectado con la puesta a tierra.** El cable del aparato y el enchufe son aptos para puesta a tierra. Conecte el enchufe a una toma de corriente equipada con puesta a tierra. En caso de no entender bien las instrucciones de puesta a tierra, llamar al servicio técnico o personal cualificado. En caso de dudas sobre la correcta puesta a tierra, dejar comprobar la instalación eléctrica por un técnico cualificado.
 - Si el cable no alcanza la toma de corriente más cercana, cambiar la colocación del aparato o preguntar a un técnico de instalar una nueva toma de corriente.
 - En caso de corte de corriente, esperar al menos 3 minutos antes de reencender el aparato, para evitar daños en el compresor.
 - Deslice el estante / cajón en su lugar.
 - **Nota:** Si el aparato no se ha colocado en posición correcta o se ha desplazado, dejarlo en la misma posición al menos 12 horas antes de ponerlo en marcha.
- Nota:** Antes de utilizar el aparato por primera vez, limpiar los estantes y el interior con agua jabonosa.

Función

Conservación de alimentos

Para obtener mejores resultados, respite las instrucciones siguientes:

- Llenar el aparato de alimentos solo cuando el aparato ha alcanzado la temperatura correcta
- No colocar alimentos descubiertos o líquidos calientes en el aparato
- Cubrir o envolver correctamente los alimentos
- No bloquear los ventiladores en el interior del aparato
- Evitar mantener la puerta abierta durante mucho tiempo
- Los alimentos deben colocarse en un contenedor antes de posicionarlos en el estante. No colocar alimentos sueltos sin envolver

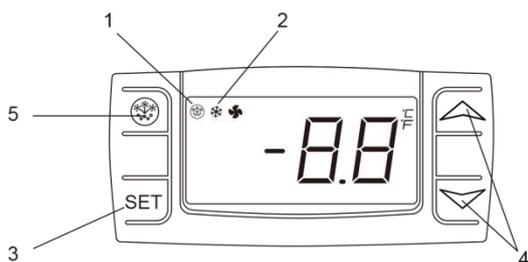
Encender el aparato

- Cerrar la puerta del aparato.
- El interruptor principal debe encontrarse en la posición [O]. Conecte el enchufe a una toma de corriente adecuada
- Llevar el interruptor en la posición [I]. Se mostrará la temperatura actual en el interior del aparato. Switch on the Power [I]. The current temperature within the appliance is displayed.
- El ❄ en pantalla parpadeará para indicar el tiempo entre el motor compresor que se ha bloqueado y luego reencendido.

Función

Regulación y control de la temperatura (Dixell)

- El termostato



1. Luces de descongelación
2. Luz de funcionamiento del compresor
3. Tecla de programación (sólo técnico de servicio)
4. Teclas para la regulación de la temperatura
5. Descongelación manual

Lectura de la temperatura

- Presione brevemente la tecla **SET** una vez. Se mostrará la temperatura.
- Presione la tecla **SET** nuevamente o espere 15 segundos. Se vuelve a mostrar el indicador de funcionamiento normal.

Modificación de la temperatura

- Mantenga presionada la tecla **SET** durante más de dos segundos para mostrar un valor nuevo.
- Se mostrará la temperatura y el símbolo "°C" comenzará a parpadear.
- Para modificar el valor de la temperatura, presione la flecha „^” (arriba) o „V” (abajo) durante 15 segundos.
- Para memorizar la nueva temperatura, presione la tecla **SET** o espere 15 segundos

Descongelación automática

- El aparato se descongela automáticamente.

Observación: el interruptor de tiempo de descongelación se inicia al poner en funcionamiento el aparato por primera vez.

Para descongelar manualmente el aparato, siga estos pasos:

- Mantenga presionada la tecla **DESCONGELACIÓN** durante 5 segundos.
- El proceso de descongelación comienza inmediatamente y se enciende el indicador de Descongelación.

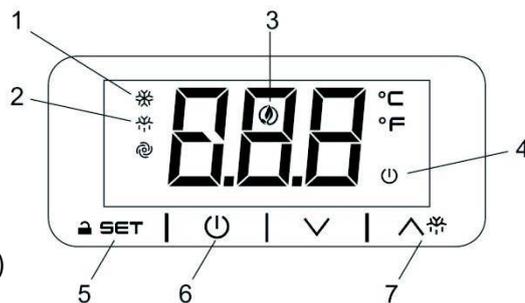
Observación: si la descongelación es manual, el interruptor de tiempo de descongelación se vuelve a colocar en cero.

Función

Regulación y control de la temperatura (Evco)

Panel frontal del termostato

1. Luz de compresor activo
2. Luz deshielo activo
3. Luz ahorro energético activo
4. Luz de stand-by
5. Tecla de programación (mantenimiento solamente)
6. Equipo ON (encendido)/Stand-by (mantener presionado)
7. Deshielo manual (mantener presionado)



Cambia el estado del equipo entre ON (encendido)/STAND-BY

- Mantener presionada la tecla  durante 4"; el equipo pasará desde el estado ON (encendido) para STAND-BY y vice-versa.
- Al mantener presionada la tecla, el LED  estará parpadeando para visualizar el cambio de estado.

Desbloquear el teclado (mensaje «Loc»)

- Presionando cualquier botón durante más de 2," aparecerá el mensaje «UnL» y se desbloqueará el teclado.

Nota: por motivos de seguridad, el teclado se bloquea automáticamente después de 30" de inactividad de las teclas. Para ejecutar cualquier operación, primero desbloquear el teclado.

Visualizar y modificar el set point

- Presionar brevemente la tecla **SET**, se visualizará el set point y empezará a parpadear.
- Para modificar el valor, presionar la flecha  o  dentro de 20".
- Para memorizar el nuevo set point, presionar nuevamente la tecla **SET** o aguardar 20".

Defrost automático

- El aparato llevará a cabo un deshielo automático.

Nota: el ciclo empieza desde el encendido inicial del equipo.

Para efectuar el deshielo manual:

- Mantener presionada la tecla  por 3".
- El proceso de deshielo empieza y el indicador LED se enciende.

Nota: empezar un defrost manual significa también resetear el temporizador de defrost automático. El próximo defrost automático empezará después que el defrost automático haya terminado.

Limpeza y mantenimiento

Mantenimiento rutinario

Antes de desenchufar, apagar siempre el aparato y desenchufarlo de la toma de corriente.

- Limpiar el interior y el exterior del aparato cuantas más veces posible.
- Limpiar el aparato con un paño ligeramente húmedo. Asegurarse no mojar el interruptor, el cuadro de mandos, el cable y el enchufe.
- No utilizar limpiadores abrasivos o agresivos. Estos pueden dañar el aparato. Utilizar únicamente limpiadores suaves.
- Limpiar la junta de la puerta únicamente con agua.
- Asegurarse que el agua no entre nunca en contacto con los componentes eléctricos.
- Para limpiar el aparato, NO utilizar limpiadores de presión
- Tras la limpieza, secar con un paño suave.
- No permita que el agua utilizada en la limpieza pase a través del agujero de drenaje en el tanque de evaporación.
- Limpiar cuidadosamente la parte posterior del aparato.
- Las reparaciones deben llevarse a cabo por el personal cualificado o el servicio de atención al cliente.
- Al no utilizar el aparato durante mucho tiempo, llevar el interruptor en la posición OFF y desconectarlo de la toma de corriente. Vaciar todos los estantes y limpiar el aparato a fondo. Dejar la puerta abierta para evitar olores y formación de moho.

Mantenimiento especial

Las siguientes instrucciones son para el personal cualificado

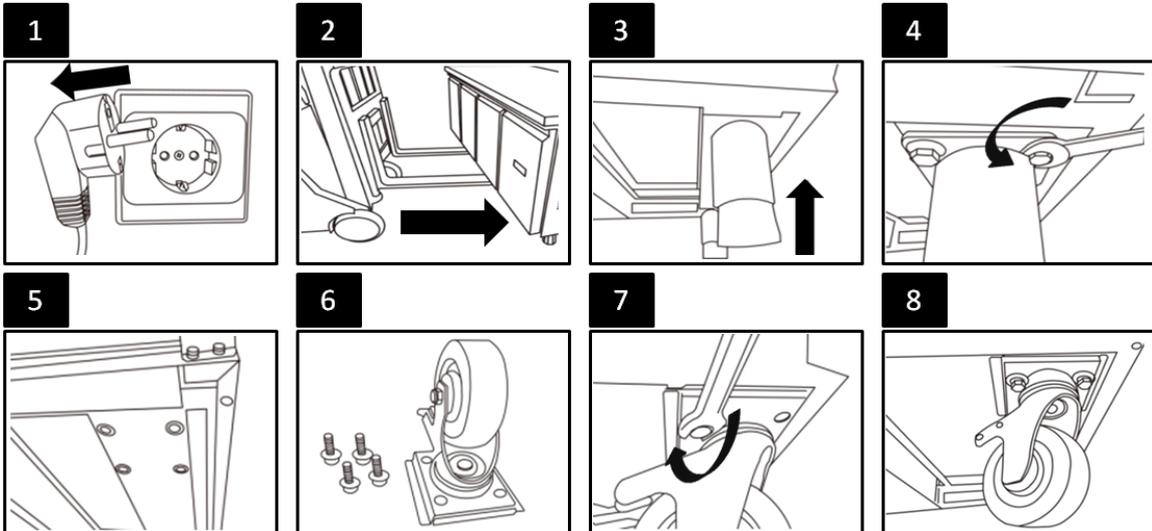
- Limpiar periódicamente el condensador con un medio adecuado (aspiradora o cepillo suave). La limpieza del condensador alarga la vida útil del aparato.
- Las conexiones eléctricas no deben estar cerradas con llave.
- Comprobar que el termostato y el sensor funcionan correctamente.

Accesorio opcional

Cuatro piezas de ruedecillas

Posicionamiento: Dos ruedecillas con seguros para la parte interior frontal y dos ruedecillas sin seguros para la parte inferior posterior.

Procedimiento: Siga los 8 pasos siguientes para cambiar las patas del preservador de alimentos por ruedecillas.



Nota: Si tiene planeado adquirir accesorios opcionales, consulte a nuestro personal de ventas.

Precaución:

- Desenchufe el aparato de la toma de corriente antes de realizar el cambio.
- Asegure la gata antes de realizar el cambio.
- Asegure todas las gavetas, estantes, tapas y puertas antes de realizar el cambio.
- Vacíe el gabinete antes de realizar el cambio.
- Fije el seguro de la ruedecilla después de realizar el cambio.

Resolución de problemas

Problemas	Causa posible	Medidas
El aparato no funciona.	El aparato está apagado.	Asegurarse que el aparato esté conectado a la red eléctrica y encendido.
	El enchufe o el cable están dañados.	Contactar con nuestros agentes o técnicos cualificados.
	Defecto interno del cableado.	Contactar con nuestros agentes o técnicos cualificados.
	Suministro de energía.	Testar el suministro de energía
El aparato se enciende pero la temperatura es demasiado elevada o baja.	Hay demasiado hielo en el evaporador.	Proceder al deshielo del aparato.
	El condensador se bloquea por el polvo.	Limpiar el condensador.
	La puerta no está bien cerrada	Comprobar que la puerta esté cerrada y que la junta no esté dañada
	El aparato se encuentra cerca de una fuente de calor o el circuito de aireación hacia el condensador está dañado.	Desplazar el aparato en una posición más adecuada.
	La temperatura ambiente es demasiado elevada	Aumentar la aireación y colocar el aparato en una posición más fría.
	Alimentos inadecuados se han colocado en el aparato.	Eliminar los alimentos calientes o eventuales bloqueos de los ventiladores.
	El aparato está sobrecargado.	Reducir el volumen de los alimentos en el aparato.
El aparato genera ruidos excesivos.	Desaflojar tuerca/tornillo.	Asegurar y apretar todas las tuercas y los tornillos.
	El aparato se ha instalado en una superficie poco estable.	Verificar la posición de la instalación y modificarla si necesario.
El aparato pierde agua.	El aparato no está nivelado de manera adecuada.	Ajustar los pies del aparato de manera que esté perfectamente estable.
	El circuito de descarga está bloqueado.	Limpiar el circuito de descarga.
	El contenedor del agua está dañado.	Contactar con nuestros agentes o técnicos cualificados.
	El contenedor del agua está desbordando	Vaciar el depósito de agua

Eliminación

Si el gabinete ya no se utilizará más y desea deshacerse del mismo, sáquelo hacia el exterior para evitar que los niños queden atrapados en su interior accidentalmente. Deseche el aparato de manera adecuada.

Contacte e un técnico de servicio calificado:

1. Para recuperar todo el refrigerante/ freón
2. Para sacar el compresor o el aceite del compresor
3. Para sacar los gases de aislamiento inflamables

Luego, el distribuidor/ representante de ventas puede contactar a su centro de reciclaje local para recoger el gabinete, estantes, etc..

Puede obtener información de aparatos de refrigeración mediante:

- Su proveedor/Your supplier
- Autoridades de gubernamentales (concejo local, ministerio del medioambiente etc.)

Por ley, la eliminación de desechos peligrosos puede estar sujeta a multas y penas de cárcel bajo las aristas de las regulaciones medioambientales.

1. El refrigerante de esta unidad es un refrigerante de hidrocarburo y está cubierto por el Protocolo de Kyoto.
2. La liberación del refrigerante a la atmósfera va a dañar el medio ambiente, contribuyendo al calentamiento global. El Potencial de Calentamiento Global (GWP) de R134a es 1430, de R404a es 3922, de R600a/R290 es 3.

Eliminación adecuada de este producto



¡Los aparatos eléctricos desechables son materiales que no son parte de la basura doméstica! Por ello pedimos para que nos ayude a contribuir activamente en el ahorro de recursos y en la protección del medio ambiente entregando este aparato en los puntos de recogida existentes.



Eliminación de estos materiales de acuerdo a las normas legales aplicables.

Datos Técnicos

Modelo	Frigorífico/ Congelador (1puerta, 2 puerta)
Clase climática	Por favor refiérase a la información indicada en el producto. Se encontrarán las informaciones en la etiqueta en la parte posterior de la unidad, así como el interior del compartimiento de refrigeración. El diagrama eléctrico se muestra en la parte posterior de la unidad, así como en el interior del compartimiento de refrigeración.
Líquido refrigerante	
Carga de refrigerante	
Rango de temperatura (°C)	
Línea de entrada	
Frecuencia nominal	
Tensión de alimentación	
Volumen Neto (litros)	
Peso neto (kg)	
Peso bruto (kg)	
Espumante	
Dimensiones (A x L x L) (mm)	



ATENCIÓN: AL UTILIZAR EL REFRIGERANTE COMBUSTIBLE R600a/R290, EXISTE RIESGO DE FUEGO Y EXPLOSIÓN.



Garantía

Para este producto rige la garantía legal.

Las reclamaciones se deberán efectuar inmediatamente después de constatadas.

El derecho a reclamación se extingue si el comprador o un tercero manipulan agresivamente el aparato. Los daños resultantes de una manipulación o utilización inapropiada, por colocación o almacenamiento erróneo, por conexión o instalación inadecuada, o por causa de fuerza mayor u otras influencias externas, no quedan incluidos en la garantía. Recomendamos leer atentamente el Manual del Usuario, pues el mismo contiene importantes indicaciones.

El comprador deberá justificar su derecho a garantía presentando la factura de compra.

Advertencias:

1. Si su producto ya no funciona correctamente, entonces verifique primeramente todos los motivos posibles, como por ejemplo la interrupción de corriente o manipulación errónea.
2. Procure que su producto defectuoso vaya acompañado de los siguientes documentos correspondientes a cada caso:
 - Factura de compra (imprescindible para ejecutar garantía)
 - Designación / tipo / marca del aparato
 - Descripción de la avería que haya tenido lugar, con indicación lo más detallada posible

En caso de reclamación por garantía o averías, por favor diríjase personalmente a su distribuidor.

GWL 7/08 E/ES

Caro Cliente,

Parabéns pela aquisição deste produto. Dedique alguns minutos antes de iniciar o funcionamento do aparelho para ler as seguintes instruções de funcionamento.



Índice

Panorâmica do produto.....	63
Conselhos de Segurança.....	64
Utilização Prevista.....	65
Localização e Instalação.....	66
Funcionamento.....	67
Limpeza, Cuidados e Manutenção.....	70
Acessório opcional.....	71
Resolução de problemas.....	72
Eliminação.....	73
Dados Técnicos.....	74
Garantia.....	74

Panorâmica do produto

Descrição do artigo
Frigorífico (1 porta)
Frigorífico (2 porta)
Arca frigorífica (1 porta)
Arca frigorífica (2 porta)

Conselhos de Segurança



IMPORTANTE: Para sua segurança, leia o manual atentamente antes de instalar ou utilizar este produto. Guarde este manual para referência futura.

Consulte as Normas Nacionais e Locais para cumprir com o seguinte:

1. Legislação de Saúde e Segurança no Trabalho
2. Precauções contra incêndios.
3. Regulamentações de Cablagem IEE
4. Regulamentações de Construção
5. **NÃO** utilize o aparelho no exterior.
6. **NÃO** tente reparar o produto sozinho.
7. **NÃO** utilize aparelhos danificados. Em caso de dúvida, consulte o serviço de assistência.
8. **NÃO** utilize aparelhos elétricos no interior do aparelho (por ex., aquecedores, máquinas de fabricar gelados, etc.), a menos que sejam do tipo recomendado pelo fabricante.
9. Mantenha as aberturas de ventilação, na caixa do aparelho ou na estrutura interna, livres de obstruções.
10. **NÃO** utilize dispositivos mecânicos ou outros meios para acelerar o processo de descongelação, que não sejam os recomendados pelo fabricante.
11. **NÃO** danifique o circuito de refrigeração.
12. **NÃO** suba nem se apoie na base, gavetas ou portas.
13. **NÃO** permita que óleos ou gorduras entrem em contacto com os componentes de plástico ou a vedação da porta. Limpe imediatamente em caso de contacto.
14. Este aparelho pode ser utilizado por crianças com idade superior a 8 anos e por pessoas com capacidades físicas, sensoriais ou mentais reduzidas, ou pessoas com falta de experiência e conhecimentos desde que sejam supervisionadas ou recebam instruções para a utilização do dispositivo e compreendam os riscos inerentes (para o mercado europeu).
15. Não deixe que as crianças brinquem com o aparelho.
16. A limpeza e a manutenção pelo utilizador não devem ser efetuadas por crianças sem supervisão.
17. **NÃO** coloque artigos combustíveis, explosivos ou voláteis, ácidos corrosivos ou alcalinos ou líquidos dentro do aparelho.

Conselhos de Segurança

18. **NÃO** use este aparelho para armazenar fornecimentos de medicamentos.
19. **NÃO** use lavadoras a jato/pressão para limpar o aparelho.
20. **NÃO** permita que as crianças brinquem com a embalagem e elimine os sacos de plástico de forma segura.
21. As garrafas que contenham uma elevada percentagem de álcool devem estar vedadas e ser colocadas verticalmente no frigorífico.
22. O aparelho deve ser sempre transportado, armazenado e manuseado numa orientação vertical e ser movido segurando pela base do aparelho.
23. Desligue sempre o aparelho e retire a ficha da tomada de corrente antes de o limpar.
24. Se o cabo de alimentação estiver danificado, deverá ser substituído pelo fabricante, pelo serviço de assistência ou um técnico qualificado, de modo a evitar perigos.
25. Este aparelho não pode ser usado por pessoas (incluindo crianças) com capacidades físicas, sensoriais ou mentais reduzidas, ou por pessoas sem experiência e conhecimentos, exceto se forem supervisionadas ou se receberem instruções relativas à utilização do aparelho por alguém responsável pela sua segurança (para o mercado não Europeu).
26. As crianças devem ser vigiadas para garantir que não brincam com o aparelho.
27. Apenas para utilização no interior. Não é adequado para instalação em áreas onde possam ser usados jatos de água. Não deve ser limpo com jato de água.
28. Para garantir um funcionamento seguro, certifique-se de que o aparelho está configurado e ligado tal como é descrito no manual de instruções.
29. Quaisquer reparações e intervenções no aparelho só devem ser realizadas pelo departamento de assistência ao cliente/ técnico qualificado.
30. A chave do armário elétrico deve ser guardada fora do alcance das crianças e dos utilizadores.
31. Não guarde neste aparelho substâncias explosivas, tais como latas de aerossol com propulsor inflamável.

Utilização Prevista

Use este aparelho apenas para o arrefecimento e armazenagem de alimentos e bebidas para fins comerciais.

Localização e Instalação

- Retire o aparelho da embalagem. Certifique-se de que todas as películas de plástico e os revestimentos de proteção são retirados de todas as superfícies. Para evitar lesões pessoais ou danos no aparelho, recomendamos que o aparelho seja desembalado e montado pelo menos por duas pessoas.
- A classificação climática podem ser encontrados na placa de identificação. Os níveis das temperaturas oferecidas podem ser verificadas e conformadas na Tabela informativa que se encontra no interior do aparelho :

Classe Climática	Máximos como temperaturas ambiente	Relação das humidades relativas
3	25	60%
4	30	55%
5	40	40%

- Mantenha uma distância de 20 cm entre o aparelho e as paredes ou outros objetos, para manter uma ventilação adequada. Aumente essa distância se o obstáculo for uma fonte de calor.
- O aparelho deve ser colocado sobre um piso sólido, plano e estável, para reduzir o ruído e a vibração. Nivelar o aparelho ajustando os pés.
- Evite colocar o aparelho sob a luz solar direta ou perto de fontes de calor como fornos ou radiadores.
- Certifique-se de que o aparelho tem uma ventilação adequada.
- Verifique se a alimentação elétrica e a tensão utilizadas estão em conformidade com os detalhes da placa identificadora. A tomada de corrente deverá ficar acessível depois da instalação.
- Ligue e desligue corretamente a ficha da tomada. Quando a inserir, certifique-se de que a ficha fica bem colocada. Quando a desligar, segure pelo corpo da ficha. Nunca puxe o cabo de alimentação diretamente.
- Se o aparelho ficar desligado durante um longo período, desligue-o e desligue a ficha da tomada. Limpe o aparelho e deixe a porta aberta para prevenir odores.
- **Importante! Para sua segurança pessoal, este aparelho deve ter uma ligação à terra adequada (ligação à terra).** O aparelho está equipado com um cabo que tem um fio de ligação à terra e com uma tomada de terra. A ficha deverá ser inserida numa tomada que esteja devidamente instalada e ligada à terra. Consulte um electricista qualificado ou o serviço de assistência se não conseguir compreender completamente as instruções para a ligação à terra. Em caso de dúvida sobre se o aparelho está devidamente ligado à terra, chame um electricista qualificado para verificar o circuito de modo a garantir que a tomada está devidamente ligada à terra.
- Se o cabo não chegar à tomada mais próxima, reorganize a disposição da loja ou chame um electricista qualificado para instalar uma nova tomada.
- Em caso de corte de energia, aguarde pelo menos 3 minutos antes de reiniciar o aparelho para evitar danificar o compressor.
- Faça deslizar a prateleira/gaveta para o lugar.
Nota: Se o aparelho não tiver sido armazenado ou movido na posição vertical, deixe-o ficar na vertical durante aproximadamente 12 horas antes de retomar o funcionamento.
Nota: Antes de utilizar o aparelho pela primeira vez, limpe as prateleiras e o interior com água e sabão.

Funcionamento

Armazenar alimentos

Para obter os melhores resultados do seu aparelho, siga estas instruções:

- Armazene os alimentos no aparelho apenas quando este tiver atingido a temperatura de funcionamento correta.
- Não coloque alimentos quentes ou líquidos destapados dentro do aparelho.
- Embrulhe ou tape os alimentos sempre que possível.
- Não obstrua o ventilador no interior do aparelho.
- Evite abrir as portas por períodos de tempo prolongados.
- Os alimentos devem ser colocados num recipiente antes de serem colocados no armário ou na prateleira. Os alimentos não devem ser colocados diretamente no armário para alimentos.

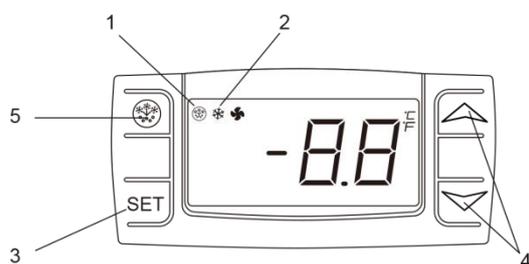
Ligar

- Feche a porta do aparelho.
- Assegure-se de que o interruptor de alimentação está ajustado para [O] e depois ligue-o à tomada de corrente.
- Ligue a alimentação [I]. A temperatura atual dentro do aparelho é exibida.
- O ✱ no painel de controlo vai piscar para indicar um atraso no arranque do compressor.

Funcionamento

Configuração e Controlo da Temperatura (Dixell)

- Painel frontal do visor do termostato:



1. Indicador de descongelamento
2. Indicador de funcionamento do compressor
3. Tecla **SET** (configuração)
4. Teclas de modificação de temperatura
5. Botão de descongelamento

Como ver o ponto predefinido

- Prima e solte imediatamente a tecla **SET** e o ponto predefinido será mostrado;
- Prima e solte imediatamente a tecla **SET** ou aguarde cerca de 15 seg para voltar à visualização normal.

Como alterar o ponto predefinido

- Prima a tecla **SET** durante mais de 2 segundos para alterar o valor predefinido;
- O valor do ponto predefinido vai ser exibido e "°C" começa a piscar;
- Para alterar o valor predefinido prima as setas " \wedge " (para cima) ou " \vee " (para baixo) dentro de 15seg.
- Para memorizar o novo valor predefinido prima a tecla SET novamente ou aguarde 15 seg.

Descongelamento automática

O aparelho vai executar ciclos de descongelamento automaticamente.

Nota: O ciclo inicia-se a partir da altura em que o aparelho é ligado inicialmente.

Descongelamento Manual:

- Prima e mantenha o botão "" durante 5 segundos.
- O ciclo de descongelamento inicia-se imediatamente e o LED de Descongelamento vai acender-se.

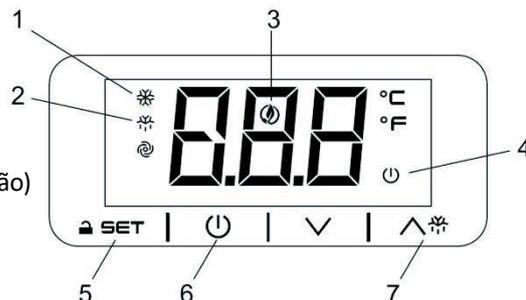
Nota: Iniciar a descongelamento manual vai também reiniciar o temporizador de descongelamento automático.

Funcionamento

Configuração e Controlo da Temperatura (Evco)

Painel frontal do controlador

1. LED de compressor ativo
2. LED de degelo ativo
3. LED de modo econômico ativo
4. LED de Stand-by ativo
5. Tecla de programação (somente agente de manutenção)
6. Equipamento Ligado/Stand-by (Manter pressionado)
7. Degelo manual (Manter pressionado)



Como ligar ou colocar o equipamento em STAND-BY

- Mantenha pressionada a tecla  por 4s, o equipamento passará do estado ligado para o estado de STAND-BY e vice-versa.
- Enquanto o botão é pressionado o LED  piscará para mostrar que o estado será alterado.

Como desbloquear o teclado («Loc» mensagem)

- Pressione qualquer tecla por mais de 2s, a mensagem «UnL» aparecerá no display e o teclado será desbloqueado.

Nota: por razão de segurança o teclado é bloqueado automaticamente após 30 segundos de inatividade. Para executar qualquer operação, por favor, desbloqueie o teclado antes.

Como visualizar e modificar o set point

- Pressione e solte rapidamente a tecla **SET**, o set point será mostrado no display e o LED  ficará piscando;
- Para alterar o valor do set point pressione  ou  dentro de 20s.
- Para gravar o novo set point pressione a tecla **SET** novamente ou aguarde 20s.

Descongelação automática

- aparelho executa automaticamente um ciclo de descongelar.

Nota: os ciclos iniciarão no momento em que o equipamento for energizado.

Descongelação Manual:

- Mantenha pressionada a tecla  por 3s;
- ciclo de descongelar começa imediatamente e o LED descongelar acende-se.

Nota: Iniciar um descongelamento manual também reinicia o temporizador automático de descongelamento. A descongelação automática seguinte começa após o final do descongelamento manual.

Limpeza, Cuidados e Manutenção

Manutenção de rotina

Desligue o aparelho e retire a ficha da tomada antes da limpeza.

- Limpe o interior e o revestimento do aparelho com a maior frequência possível.
- Limpe a unidade com um pano húmido. Nunca deixe que o interruptor, o painel de controlo, o cabo ou a ficha se molhem.
- Não utilize agentes de limpeza abrasivos. Estes podem deixar resíduos perigosos. Utilize apenas água morna com sabão.
- Limpe o vedante da porta apenas com água.
- Certifique-se de que nenhuma água da limpeza penetra nos componentes elétricos.
- Não pode ser limpo com jato de água.
- Seque sempre depois da limpeza com um pano suave.
- Não deixe que a água utilizada na limpeza corra pelo orifício de drenagem para o tanque de evaporação.
- Tenha cuidado ao limpar a parte traseira do aparelho.
- Deve ser um agente ou um técnico a realizar as reparações quando necessário.
- Se o aparelho ficar inativo durante longos períodos, desligue a ficha da tomada depois de colocar o interruptor na posição OFF, despeje o compartimento de refrigeração e limpe bem.

Manutenção especial

As instruções dadas no parágrafo seguinte podem ser seguidas por técnicos qualificados

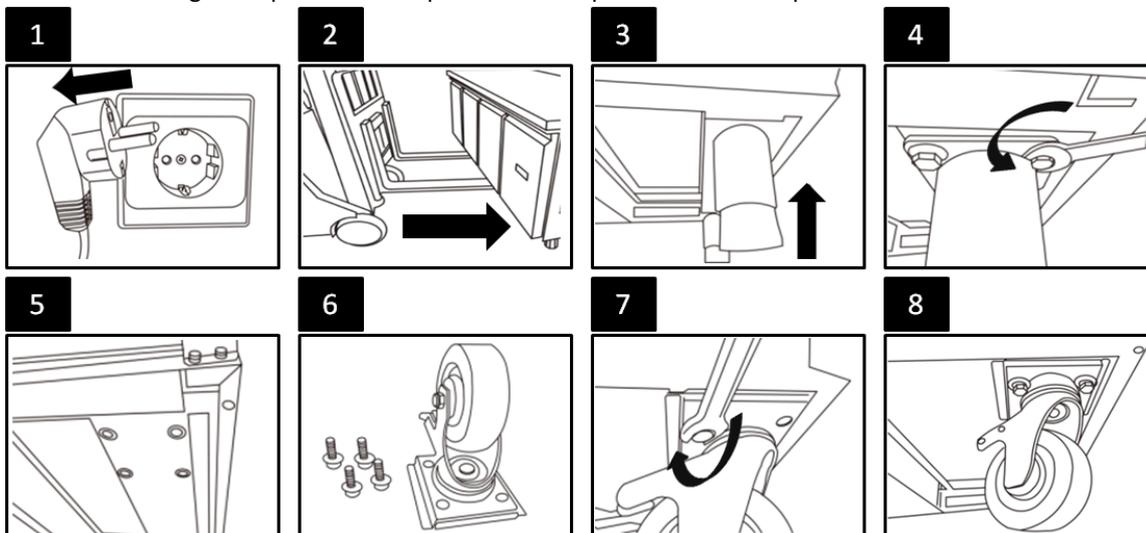
- A limpeza periódica do condensador utilizando ferramentas adequadas (aspirador ou escovas macias) pode prolongar a vida útil do aparelho.
- Verifique se as ligações elétricas não estão soltas.
- Verifique se o termostato e o sensor estão a funcionar corretamente.

Acessório opcional

Quatro peças de Rodas

Posicionamento: Duas rodas com travão a ser fixado na frente inferior e duas rodas sem travão a ser fixadas na traseira inferior.

Procedimento: Siga os 8 passos abaixo para alterar os pés das rodas da aparelho.



Nota: Se quiser adquirir acessórios opcionais, por favor, fale com o nosso pessoal de vendas para aconselhamento.

Cuidado:

- Desligue o dispositivo da tomada principal antes da alteração.
- Segurar o empilhador antes das alterações.
- Segurar todas as gavetas, prateleiras, tampas e portas antes da alteração.
- Esvazie o armário antes da alteração.
- Bloqueie o travão na roda após a alteração.

Resolução de problemas

Falha	Falha potencial	Ação para resolução de problemas
O aparelho não funciona	O aparelho não está ligado	Verifique se o aparelho está ligado e a ficha ligada à tomada
	A ficha e/ou cabo estão danificados	Contacte o seu agente ou um técnico qualificado.
	O fusível da ficha queimou	Substitua o fusível (Ficha do Reino Unido)
	Alimentação elétrica	Verifique a alimentação elétrica
O dispositivo liga-se mas a temperatura é demasiado alta/baixa	Demasiado gelo no evaporador	Descongele o aparelho
	Condensador bloqueado com pó	Contacte o seu agente ou um técnico qualificado.
	As portas não fecham corretamente	Verifique se as portas estão fechadas e se os vedantes não estão danificados
	O aparelho está localizado perto de uma fonte de calor ou o fluxo de ar para o condensador está a ser interrompido	Coloque o frigorífico num local mais adequado
	Temperatura ambiente muito alta	Aumente a ventilação ou mude o aparelho para um local mais fresco
	Alimentos inadequados estão a ser armazenados no frigorífico	Retire quaisquer alimentos quentes em excesso ou bloqueios do ventilador
	O aparelho está sobrecarregado	Reduza a quantidade de alimentos armazenados no aparelho.
O aparelho faz um ruído anormalmente alto	Porca/parafuso solto	Verifique e aperte todas as porcas e parafusos
	O aparelho não foi instalado numa posição estável e/ou nivelada	Verifique a posição de instalação e altere se necessário
O aparelho verte água	O dispositivo não está devidamente nivelado	Ajuste os pés para nivelar o aparelho (se aplicável)
	A saída de descarga está bloqueada	Limpe a saída de descarga
	O movimento da água para a drenagem está obstruído	Limpe o chão do dispositivo (se aplicável)
	O depósito de água está danificado	Contacte o seu agente ou um técnico qualificado
	A bandeja de gotejamento está a transbordar	Despeje a bandeja de gotejamento (se aplicável)

Eliminação

Se o aparelho já não estiver a ser usado e pretender eliminá-lo, tire as portas para evitar que qualquer criança pequena possa ficar presa no interior. Depois descarte-o de uma forma ambientalmente correta.

Contacte um técnico de serviço qualificado:

1. Para recuperar todo o gás Freon/refrigerante
2. Para remover o compressor ou remover o óleo do compressor
3. Para remover os gases de isolamento inflamáveis

Depois o distribuidor/revendedor pode contactar o centro de reciclagem de metais mais perto para recolher os restos do armário, prateleiras, etc.

Podem existir requisitos ou condições especiais. Pode obter informações sobre a eliminação de eletrodomésticos de refrigeração de:

- O seu fornecedor
- Autoridades governamentais (conselho municipal, Ministério do Ambiente, etc.)

Por lei, a eliminação de resíduos perigosos poderá estar sujeita a multas e prisão tendo em conta as cláusulas das regulamentações ambientais.

1. O refrigerante desta unidade é um fluido refrigerante com hidrocarbonetos e está coberto pelo Protocolo de Kyoto.
2. Soltar o refrigerante para a atmosfera irá prejudicar o meio ambiente, contribuindo para o aquecimento global. O Potencial de Aquecimento Global (GWP) de R134a é 1430, de R404a é 3922, de R600a/R290 é 3.

Eliminação



Os aparelhos elétricos eliminados são recicláveis e não devem ser eliminados juntamente com os resíduos domésticos! Apoie-nos ativamente na conservação dos recursos e na proteção o ambiente, entregando este aparelho num dos centros de recolha (se disponível).



PAP

Descarte as embalagens de acordo com os regulamentos legais aplicáveis.

Dados Técnicos

Modelo	Frigorífico/ Arca frigorífica (1 porta, 2 porta)
Classe Climática	Consulte as informações indicadas no produto. Vai encontrar as informações na etiqueta de classificação na parte de trás do aparelho, assim como no interior do compartimento de refrigeração. O diagrama do circuito é apresentado na parte traseira do aparelho, assim como no interior do compartimento de refrigeração
Gás de refrigeração	
Carga Refrigerante	
Faixa de temperatura (°C)	
Potência de Entrada	
Frequência Atribuída	
Tensão Atribuída	
Volume Interno	
Peso Líquido	
Peso Bruto	
Agente formador de espuma	
Dimensões Externas (mm)	



CUIDADO: RISCO DE INCÊNDIO E EXPLOSÃO COM REFRIGERANTE INFLAMÁVEL R600a/R290.



Garantia

Uma duração da garantia legal aplica-se a este produto.

Os danos causados pelo tratamento ou operação errados, por colocação ou armazenagem indevida, ligação ou instalação incorreta, assim como força ou outras influências externas, não são cobertos por esta garantia. Recomendamos a leitura atenta das instruções de funcionamento, pois contêm informações importantes.

Nota:

1. No caso de este produto não funcionar corretamente, em primeiro lugar deve verificar se há outras razões, por ex., a interrupção elétrica da fonte de alimentação nos aparelhos ou um manuseio incorreto são geralmente uma causa.
2. Tenha em consideração que, sempre que possível, os seguintes documentos ou informações devem ser fornecidos juntamente com o seu produto defeituoso:
 - Recibo da compra
 - Descrição do modelo / Tipo / Marca
 - Descreva a falha e o problema o mais detalhadamente possível

Em caso de reclamação ou defeitos durante a garantia, entre em contacto com o vendedor.

GWL 7/08 E/PT

Gentile cliente,

Congratulazioni per l'acquisto di questo prodotto. Prenditi qualche minuto prima di iniziare a utilizzare l'apparecchio e leggi le seguenti istruzioni operative.



Contenuto

Panoramica Prodotto	77
Suggerimenti di sicurezza	78
Uso Previsto	79
Luogo e installazione	80
Funzionamento	81
Pulizia, assistenza e manutenzione	84
Accessorio opzionale	85
Risoluzione dei problemi	86
Smaltimento	87
Dati Tecnici	88
Garanzia	88

Panoramica Prodotto

Descrizione articolo
Frigorifero (1 porte)
Frigorifero (2 porte)
Congelatore (1 porte)
Congelatore (2 porte)

Suggerimenti di sicurezza



IMPORTANTE: Per la propria sicurezza leggere il manuale attentamente prima di installare o usare questo prodotto. Conservare il presente manuale per futuro riferimento.

Consultare gli Standard locali e nazionali per garantire la conformità con quanto segue:

1. Legislazione sulla salute e sicurezza sul posto di lavoro
2. Precauzioni antincendio
3. Regole cablaggio IEE
4. Regole sugli edifici
5. **NON** usare l'apparecchio all'esterno.
6. **NON** tentare di riparare l'apparecchio da soli.
7. **NON** usare apparecchi danneggiati. In caso di dubbi, consultare il servizio di assistenza.
8. **NON** usare dispositivi elettrici all'interno dell'apparecchio (p.e. riscaldatori, gelatiere ecc..), fatto salvo il caso in cui siano del tipo raccomandato dal fabbricante.
9. Tenere le aperture di ventilazione, nell'alloggiamento dell'apparecchio o nella sua struttura integrata, libere da ostruzioni.
10. **NON** usare dispositivi meccanici o altri mezzi per accelerare il processo di scongelamento, diversi da quelli raccomandati dal fabbricante.
11. **NON** danneggiare il circuito refrigerante.
12. **NON** stare in piedi o appoggiarsi sulla base, cassette o porte.
13. **NON** consentire a grasso od olio di entrare in contatto con i componenti in plastica o la guarnizione della porta. Pulire immediatamente in caso di contatto.
14. Questa unità può essere usata da un bambino di età superiore a 8 anni e da persone con capacità fisiche, sensoriali o mentali ridotte o con mancanza di esperienza e conoscenza, a condizione che a queste ultime sia stata fornita la supervisione o le istruzioni concernenti l'uso dell'apparecchio in modo sicuro e che comprendano i pericoli coinvolti (per il mercato Europeo).
15. Non lasciare che i bambini giochino con l'apparecchio.
16. La pulizia e la manutenzione utente non devono essere realizzate da bambini senza supervisione.
17. **NON** posizionare articoli combustibili, esplosivi o volatili, acidi corrosivi o alcali o liquidi all'interno dell'apparecchio.
18. **NON** usare questo apparecchio per conservare medicinali.

Suggerimenti di sicurezza

19. **NON** usare dispositivi di lavaggio a getto/pressione per pulire l'apparecchio.
20. **NON** consentire ai bambini di giocare con l'imballaggio e smaltire i sacchetti di plastica in modo sicuro.
21. Le bottiglie che contengono una percentuale di alcol devono essere sigillate e posizionate verticalmente nel frigorifero.
22. Trasportare, conservare e manipolare sempre l'apparecchio in posizione verticale e spostarlo utilizzando la base dell'apparecchio.
23. Spegnerne e scollegare sempre l'alimentazione dall'unità prima della pulizia.
24. Se danneggiato, il cavo deve essere sostituito dal produttore, da un suo addetto all'assistenza o da personale parimenti qualificato, al fine di evitare pericoli.
25. Il presente apparecchio non è concepito per l'utilizzo da parte di persone (bambini compresi) con capacità fisiche, sensoriali o mentali ridotte, o con mancanza di esperienza o conoscenza, fatto salvo il caso in cui sia loro fornita la supervisione o le istruzioni concernenti l'uso dell'apparecchio da una persona responsabile della loro sicurezza (per il mercato Europeo).
26. I bambini devono essere supervisionati da un adulto per evitare che giochino con l'apparecchio.
27. Esclusivamente per uso interno. Non idoneo per l'installazione in un'area in cui potrebbe essere raggiunto da un getto d'acqua. Non deve essere pulito con un getto d'acqua.
28. Per garantire il funzionamento sicuro, accertarsi che l'apparecchio sia configurato e collegato come descritto nel manuale d'uso.
29. Qualsiasi riparazione e lavoro sull'apparecchio deve essere realizzato dal dipartimento assistenza cliente/tecnico qualificato.
30. La chiave del quadro elettrico deve essere tenuta fuori dalla portata dei bambini e degli utenti.
31. Non conservare oggetti esplosivi, come bombolette spray contenenti propellente infiammabile, all'interno del dispositivo.

Uso Previsto

Questo apparecchio può essere utilizzato esclusivamente per il raffreddamento e la conservazione di cibo e bevande per fini commerciali.

Luogo e installazione

- Rimuovere l'apparecchio dall'imballaggio. Assicurarsi che tutte le pellicole protettive di plastica e i rivestimenti vengano completamente eliminati da tutte le superfici. Per evitare lesioni o danni all'unità, si consiglia di disimballare ed installare l'apparecchio in presenza di due persone.
- La classe climatica è indicata sulla targhetta d'identificazione. Essa indica entro quali limiti di temperature ambiente l'apparecchio può essere usato. La targhetta d'identificazione si trova all'interno dell'apparecchio.

Classe climatica	Max. temperature ambiente	Umidità relative
3	25	60%
4	30	55%
5	40	40%

- Mantenere una distanza di 20 cm (7 pollici) tra l'apparecchio e le pareti o altri oggetti per garantire una corretta ventilazione. Aumentare questa distanza se l'ostacolo è una fonte di calore.
- Questo apparecchio deve essere posizionato su un pavimento piano e solido per ridurre il rumore e la vibrazione. Livellare l'apparecchio regolando la base di appoggio.
- Evitare di posizionare l'unità alla luce diretta del sole o vicino a fonti di calore come forni o radiatori.
- Accertarsi che l'apparecchio sia correttamente ventilato.
- Verificare che l'alimentazione e la tensione utilizzate siano conformi ai dati riportati sulla targhetta. Dopo l'installazione, la spina deve essere accessibile
- Collegare e staccare correttamente la spina. Quando si inserisce la spina, assicurarsi che sia completamente innestata. Quando si scollega trattenere il corpo della spina. Non tirare mai direttamente il cavo di alimentazione.
- Se l'unità deve essere spenta per un periodo di tempo prolungato, spegnerla e scollegare la spina dalla presa a parete. Pulire l'apparecchio e lasciare la porta aperta per prevenire cattivi odori.
- **Importante! Per la vostra sicurezza personale, questo apparecchio deve essere correttamente messo a terra.** Questo apparecchio è dotato di un cavo con un filo e una spina di messa a terra. La spina va inserita in una presa correttamente installata e messa a terra. Se le istruzioni di messa a terra non fossero completamente chiare, consultare un elettricista o un centro di assistenza qualificato. Se esiste il dubbio che l'apparecchio non sia correttamente collegato a massa, fare controllare il circuito da un elettricista qualificato per accertarsi che la presa sia correttamente messa a terra.
- Se il cavo non raggiunge la presa elettrica più vicina, riorganizzare la disposizione dell'arredamento oppure rivolgersi a un elettricista per l'installazione di una nuova presa elettrica.
- Se l'alimentazione viene interrotta, attendere almeno 3 minuti prima di riavviare l'apparecchio per evitare danni al compressore.
- Fare scorrere lo scaffale/cassetto in posizione.

Nota: Se l'unità non è stata conservata o spostata in posizione verticale, lasciarla in posizione verticale per circa 12 ore prima dell'uso.

Nota: Prima di usare l'apparecchio per la prima volta, pulire gli scaffali e l'interno con acqua saponata.

Funzionamento

Conservazione degli alimenti

Per ottenere i risultati migliori dal tuo apparecchio, seguire le seguenti istruzioni:

- Conservare gli alimenti nell'apparecchio solo quando ha raggiunto la temperatura di esercizio corretta.
- Non posizionare alimenti o liquidi caldi senza coperchio all'interno dell'apparecchio.
- Avvolgere o coprire i cibi, ove possibile.
- Non ostruire la ventola all'interno dell'apparecchio.
- Evitare di aprire gli sportelli per periodi di tempo prolungati.
- Gli alimenti devono essere messi all'interno di un contenitore prima di essere messi nella cabina o sullo scaffale. Il cibo non va posizionato direttamente nel mobile per alimenti.

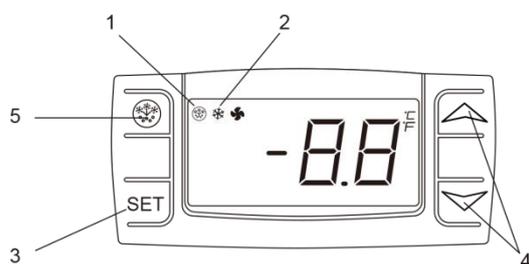
Accensione

- Chiudere la porta dell'apparecchio.
- Accertarsi che l'interruttore di alimentazione sia posizionato su [O] quindi collegare alla presa elettrica.
- Impostare l'interruttore su [I]. Viene visualizzata la temperatura corrente all'interno dell'apparecchio.
- La "❄" sul pannello di controllo lampeggia per indicare un ritardo nell'avvio del compressore.

Funzionamento

Impostazione e controllo della temperatura (Dixell)

- Il pannello anteriore del termostato mostra:



1. Indicatore sbrinamento
2. Indicatore funzionamento compressore
3. Tasto **SET**
4. Tasti di variazione della temperatura
5. Pulsante di sbrinamento

Come vedere il set point

- Premere e rilasciare immediatamente il tasto **SET**, il set point sarà mostrato.
- Premere e rilasciare immediatamente il tasto **SET** oppure attendere circa 15s per tornare alla visualizzazione normale.

Come cambiare il set point

- Premere il tasto **SET** per più di 2 secondi per cambiare il valore del set point;
- Verrà visualizzato il valore del set point e "°C" inizia a lampeggiare;
- Per modificare il valore del set point premere le frecce „^“ o „v“ entro 15 secondi.
- Per memorizzare il nuovo valore del set point premere il tasto SET di nuovo o attendere 15 secondi.

Sbrinamento automatico

L'apparecchio avvierà automaticamente cicli di sbrinamento.

Nota: Il ciclo inizia dal momento in cui l'apparecchio viene acceso inizialmente.

Sbrinamento manuale:

- Premere e tenere premuto il pulsante **DEFROST**  per 5 secondi.
- Il ciclo di sbrinamento si avvia immediatamente e il LED di sbrinamento si accende.

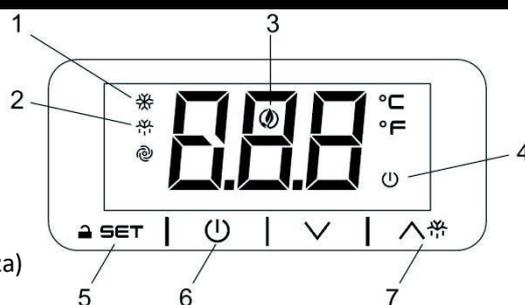
Nota: Iniziare lo sbrinamento manuale comporta il reset del timer di sbrinamento automatico.

Funzionamento

Impostazione e controllo della temperatura (Evco)

Il pannello anteriore del termostato mostra:

1. Spia di funzionamento del compressore
2. Spia di sbrinamento
3. Spia di risparmio energetico
4. Spia di stand-by
5. Tasto di programmazione (solo per l'addetto all'assistenza)
6. Macchina accesa / Stand-by (tenere premuto)
7. Sbrinamento manuale (tenere premuto)



Come far passare la macchina dallo stato ON a STAND-BY

- Tenere premuto il tasto  per 4 secondi, la macchina passa dallo stato ON a STAND-BY e viceversa.
- Mentre il tasto è premuto il led  lampeggia per mostrare il cambio di stato

Come sbloccare la tastiera (messaggio "Loc")

- Premere un tasto qualsiasi per più di 2 secondi, viene visualizzato il messaggio «UnL» e la tastiera verrà sbloccata.

Nota: per motivi di sicurezza, la tastiera si blocca automaticamente dopo 30 secondi di inattività dei tasti. Per eseguire qualsiasi operazione, si prega di sbloccare prima la tastiera.

Come vedere e modificare il set point

- Premere e rilasciare immediatamente il tasto **SET**, viene mostrato il set point che inizia a lampeggiare;
- Per modificare il valore impostato premere le frecce  o  entro 20 secondi.
- Per memorizzare il nuovo set point, premere di nuovo il tasto o **SET** attendere 20 secondi.

Sbrinamento automatico

- L'apparecchio esegue automaticamente un ciclo di sbrinamento.

Nota : Il ciclo inizia dal momento in cui il dispositivo viene acceso inizialmente.

Per sbrinare manualmente l'apparecchio:

- Tenere premuto il tasto DEFROST  per 3 secondi;
- Il ciclo di sbrinamento si avvia immediatamente e il LED si accende. Lo sbrinamento durerà 20 minuti.

Nota: l'avvio di uno sbrinamento manuale azzerà anche il timer di sbrinamento automatico. Il prossimo sbrinamento automatico inizierà 12 ore dopo il termine dello sbrinamento manuale.

Pulizia, assistenza e manutenzione

Spegnere e scollegare dalla rete di alimentazione prima della pulizia.

- Pulire l'esterno e l'interno dell'apparecchio più frequentemente possibile.
- Pulire l'unità con un panno umido. Non permettere mai all'interruttore, al pannello di controllo, al cavo o alla spina di bagnarsi.
- Non utilizzare detergenti abrasivi. Questi possono lasciare residui nocivi. Utilizzare solo acqua e sapone neutro.
- Pulire la guarnizione della porta solo con acqua.
- Assicurarsi che l'acqua di pulizia non penetri nei componenti elettrici.
- Vietato pulire con un getto d'acqua.
- Pulire e asciugare sempre dopo la pulizia con un panno morbido.
- Non consentire all'acqua usata per la pulizia di attraversare il foro di scarico per entrare nella coppa di evaporazione.
- Fare attenzione quando si pulisce la parte posteriore dell'apparecchio.
- Un rappresentante o un tecnico devono eseguire le riparazioni ove necessario.
- Se l'apparecchio deve rimanere fermo per lunghi periodi, staccare la spina dopo aver impostato l'interruttore in posizione OFF, vuotare lo scomparto frigorifero e pulire accuratamente.

Manutenzione speciale

Le istruzioni fornite nel seguente paragrafo possono essere seguite da tecnici qualificati

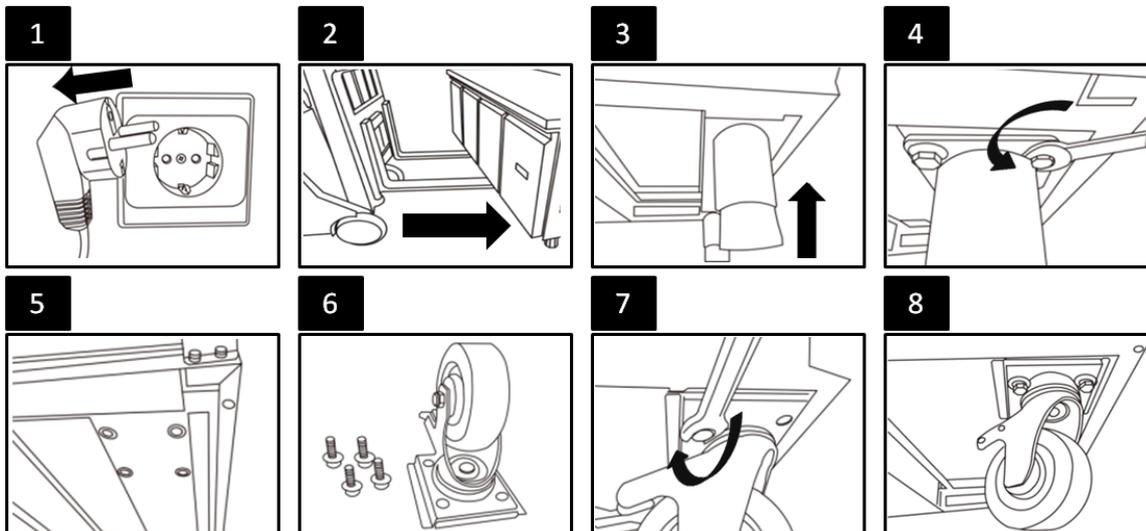
- Pulire periodicamente il condensatore usando utensili idonei (aspiratore o spazzole a setole morbide) può allungare il ciclo di vita utile dell'apparecchio.
- Controllare che i collegamenti elettrici non siano allentati.
- Verificare che il termostato e il sensore siano in buono stato di funzionamento.

Accessorio opzionale

Quattro rulli

Fissare due rulli dotati di un freno nella parte inferiore anteriore e due rulli privi di freno nella parte posteriore in basso.

Procedimento: Seguire gli 8 passi descritti qui di seguito per procedere alla sostituzione dei rulli.



Nota: se desiderate acquistare accessori opzionali, chiedete ai responsabili di vendita per suggerimenti.

Precauzione:

- Si prega di scollegare il cavo dall'alimentazione elettrica prima di procedere alla sostituzione dei rulli.
- Prima di iniziare il processo di sostituzione fissare il carrello elevatore.
- Assicurare tutti i cassetti, ripiani, coperchi prima di effettuare la sostituzione.
- Svuotare l'armadio prima di procedere alla sostituzione.
- Dopo aver effettuato la sostituzione fissare i freni dei rulli.

Risoluzione dei problemi

Problema	Potenziale problema	Azione per risolvere il problema
L'apparecchio non funziona	L'unità non è accesa	Controllare che l'unità sia collegata correttamente e accesa
	La spina e / o il cavo sono danneggiati	Contattare il proprio rappresentante o un tecnico qualificato
	Il fusibile nella spina è bruciato	Sostituire il fusibile (Spina UK)
	Alimentatore	Controllare l'alimentazione
L'apparecchio si accende, ma la temperatura è troppo alta / bassa	Troppo ghiaccio sull'evaporatore	Sbrinare l'apparecchio
	Condensatore bloccato da polvere	Contattare il proprio rappresentante o un tecnico qualificato
	Gli sportelli non si chiudono correttamente	Controllare che gli sportelli siano chiusi e non siano danneggiati
	L'apparecchio è situato vicino a una fonte di calore o il flusso d'aria al condensatore è stato interrotto	Spostare il frigorifero in un luogo più adatto
	Temperatura ambiente troppo elevata	Aumentare la ventilazione o spostare apparecchio in una posizione più fresca
	Nell'apparecchio vengono conservati alimenti non idonei	Rimuovere eventuali prodotti alimentari caldi o blocchi eccessivi al ventilatore
	L'apparecchio è in sovraccarico	Ridurre la quantità di alimenti conservati nell'apparecchio
L'apparecchio fa un rumore insolitamente forte	Dado / vite allentata	Controllare e serrare tutti i dadi e le viti
	L'apparecchio non è stato installato in una posizione piana o stabile	Controllare la posizione di installazione e, se necessario, cambiarla
L'apparecchio perde acqua	L'apparecchio non si trova in posizione livellata	Regolare la base a vite per livellare l'apparecchio (se applicabile)
	L'uscita di scarico è bloccata	Sgombrare l'uscita di scarico
	Lo spostamento dell'acqua verso lo scarico è ostruito	Pulire il pavimento dell'apparecchio (se applicabile)
	Il serbatoio dell'acqua è danneggiato	Contattare il proprio rappresentante o un tecnico qualificato
	Il cassetto di sgocciolamento è troppo pieno	Svuotare il cassetto di sgocciolamento (se applicabile)

Smaltimento

Se l'apparecchio non viene più utilizzato e si desidera smaltirlo, rimuovere gli sportelli per evitare che bambini piccoli rimangano intrappolati all'interno. Quindi si prega di farlo in modo ecocompatibile.

Contattare un tecnico qualificato:

1. Per recuperare tutto il freon / refrigerante
2. Per rimuovere il compressore o l'olio dal compressore
3. Per rimuovere i gas infiammabili di soffiatura dell'isolamento

Il distributore / rivenditore potrà contattare il proprio centro locale di riciclaggio di metalli per prendere il mobile rimanente, scaffali, ecc.

Ci possono essere requisiti o condizioni particolari. È possibile ottenere informazioni sullo smaltimento degli apparecchi refrigeranti da:

- Il vostro fornitore
- Le autorità di governo (il Comune, il Ministero dell'Ambiente, ecc.)

Per legge, lo smaltimento dei rifiuti pericolosi può essere soggetto a multe e reclusione in base alle disposizioni delle normative ambientali.

1. Il refrigerante di questa unità è un refrigerante a base di idrocarburo ed è coperto dal protocollo di Kyoto.
2. Rilasciare il refrigerante nell'atmosfera metterà in pericolo l'ambiente contribuendo al surriscaldamento globale. Il potenziale rischio di inquinamento (GWP) di R134a è 1430, di R404a è 3922, di R600a/R290 è 3.

Smaltimento



Le apparecchiature elettriche smaltite sono riciclabili e non devono essere gettate insieme ai normali rifiuti domestici! Vi preghiamo di supportarci attivamente nella conservazione delle risorse e nella protezione dell'ambiente portando l'apparecchio presso un centro di raccolta (se applicabile).



PAP

Smaltire l'imballaggio conformemente alle regolamentazioni legali applicabili.

Dati Tecnici

Modello	Frigorifero/ Congelatore (1porte, 2porte)
Classe climatica	Fare riferimento alle informazioni indicate sul prodotto. Troverete le informazioni sull'etichetta informativa sul retro dell'unità così come all'interno del compartimento di raffreddamento. Il diagramma di circuito è mostrato sul retro dell'unità così come all'interno del compartimento di raffreddamento
Gas refrigerante	
Carica del refrigerante	
Range di temperatura (°C)	
Alimentazione in entrata	
Frequenza nominale	
Tensione nominale	
Volume interno	
Peso netto	
Peso lordo	
Agente schiumogeno	
Dimensione esterna (mm)	



ATTENZIONE: RISCHIO DI INCENDIO ED ESPLOSIONE CON REFRIGERANTE INFIAMMABILE R600a/ R290.



Garanzia

A questo prodotto si applica una garanzia di legge.

I danni causati da un trattamento o funzionamento sbagliato, da posizionamento o conservazione errata, collegamento o installazione impropria, così come da forze o altre influenze esterne non sono coperti dalla garanzia. Si consiglia un'attenta lettura delle istruzioni per l'uso in quanto contengono informazioni importanti.

Nota:

1. Nel caso in cui il prodotto non funzioni correttamente, verificare in primo luogo se ci sono altri motivi, ad esempio, per gli elettrodomestici, la causa è generalmente l'interruzione dell'alimentazione elettrica o la manipolazione scorretta.
2. Si prega di notare che, quando possibile, insieme al prodotto difettoso dovrebbero essere prodotti i seguenti documenti o informazioni:
 - Ricevuta di acquisto
 - Descrizione modello / Tipo / Marca
 - Descrivere il guasto e il problema nel modo più dettagliato possibile

Nel caso di una richiesta di garanzia o di difetti, si prega di contattare il venditore.

GWL 7/08 E/IT



Chefline

Viale dell'industria, 23 - 35023 - BAGNOLI DI SOPRA (PD)
Tel. +39.049.5342967 - Whatsapp +39.366.8630408

e-mail: info@chefline.it
web site: www.chefline.it